

Startup guide

CTC EcoPart i600M

Modulating ground source heat pump

400V 3N~

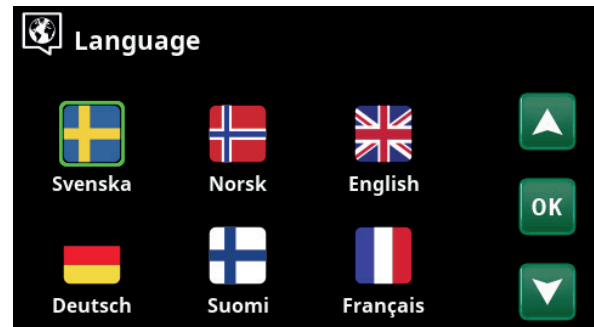


Installation wizard

When starting up the system and during reinstallation, a number of system options must be selected. The dialogue boxes which will then be displayed are described below.

For more information on the different display menus, see the "Installation and maintenance manual" for the CTC EcoPart i600M.

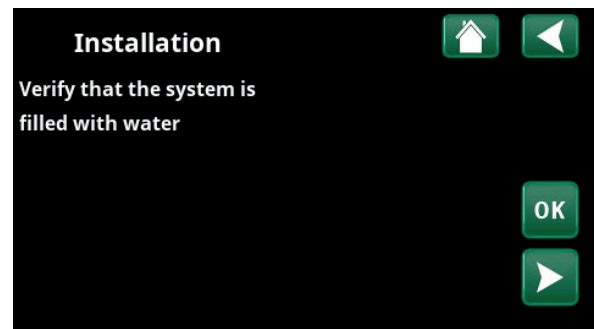
1. Choose language. Press OK to confirm.



2. Select the country where the heat pump is installed. Press OK to confirm.



3. Verify that the system is filled with water. Confirm with "OK" and the "right" directional arrow.



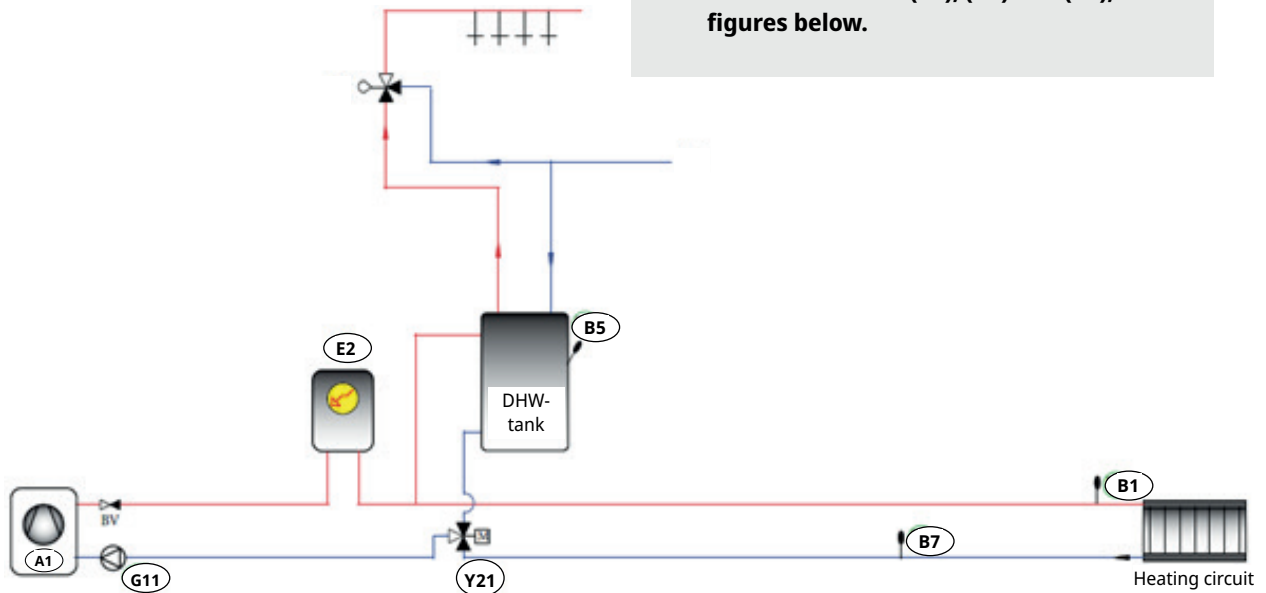
4. Select "System type" using the plus/minus (+/-) buttons. Confirm with the "right" directional arrow.



System type 2

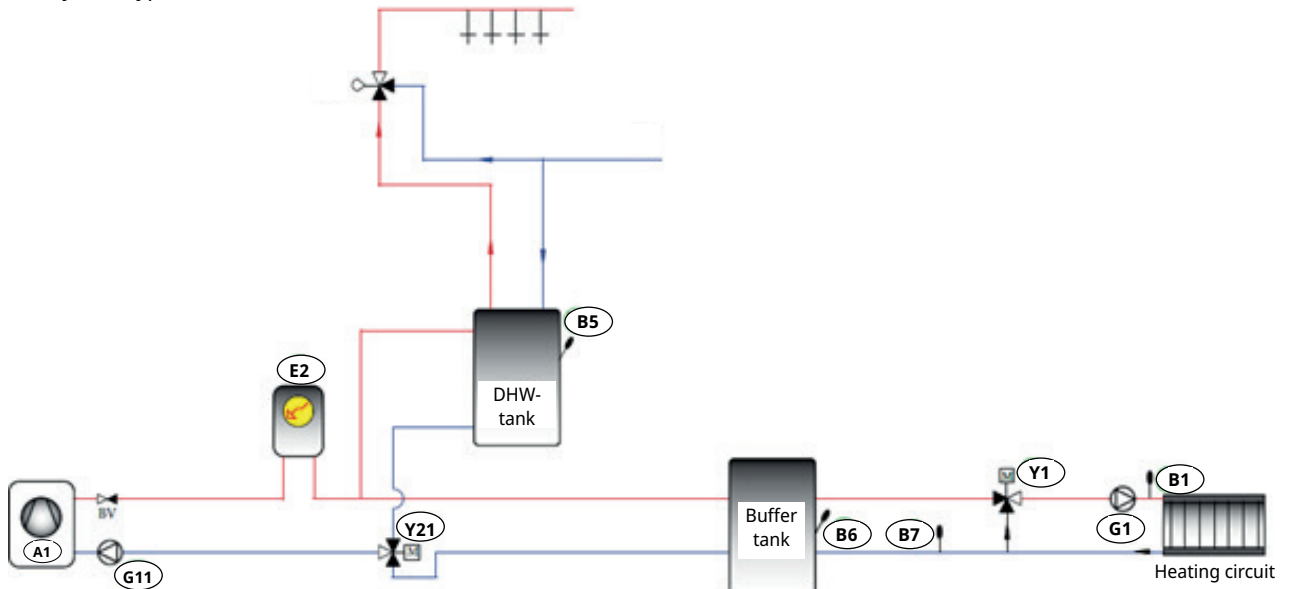
Select "System type" 2 for floating condensation where the heat pump can charge either the hot water tank ("DHW tank") or the heating circuit. No extra accessories from CTC are needed to commission the system.

Charge pump (G11), electric heater (E2) and 3-way valve (Y21) are factory installed in the CTC EcoPart i600M. In addition, 3 sensors are enclosed. They are often used as (B1), (B5) and (B7), see figures below.

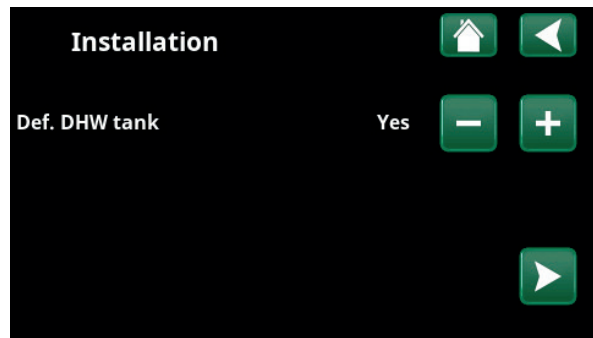


System type 4

Alternatively, select System type 4 with a buffer tank and a mixing valve solution for the heating circuit. Note that this system type also needs an extra sensor (B6) to work.



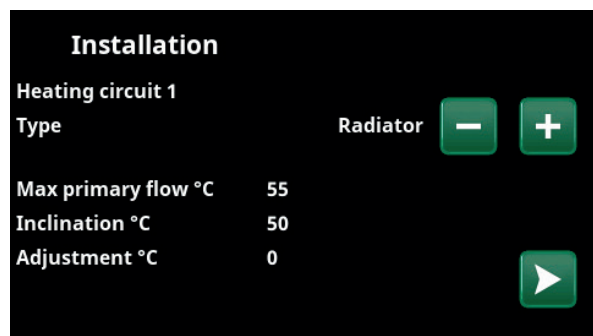
5. Use the buttons to define the DHW tank: For "Yes" press plus (+). For "No" press minus (-). Confirm with the "right" directional arrow.



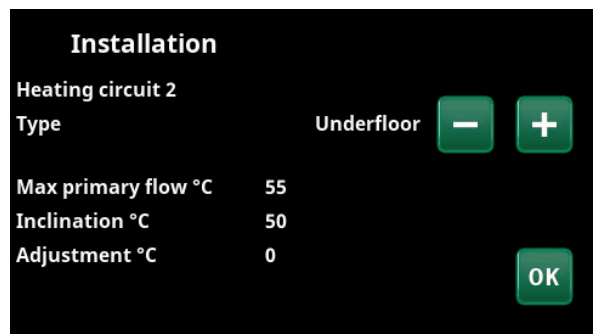
6. Specify whether Heat pump 1 is permitted or blocked. For "Permitted" press plus (+). For "Blocked" press minus (-). Confirm with the "right" directional arrow.



7. Specify whether heating circuit 1 applies to radiators or underfloor heating. Switch between "Radiator" and "Underfloor Heating" by clicking the (+) and (-) buttons. Confirm with the "right" directional arrow.

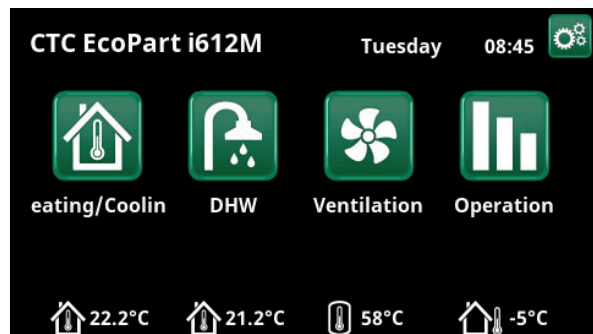


8. If Heating circuit 2 is defined, the corresponding menu for this system is displayed. Switch between "Radiator" and "Underfloor Heating" for Heating circuit 2 and finish the wizard with "OK".



Note that the factory fitted electric heater is defined independently of the selections made above.

The heat pump then starts and the main menu (start menu) is displayed. Depending on what has been defined, different icons are displayed.

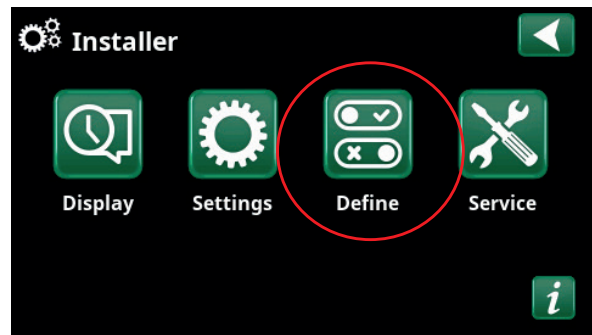


Alarm handling

If an alarm is triggered, it will be displayed on the start menu. The most common alarms are:

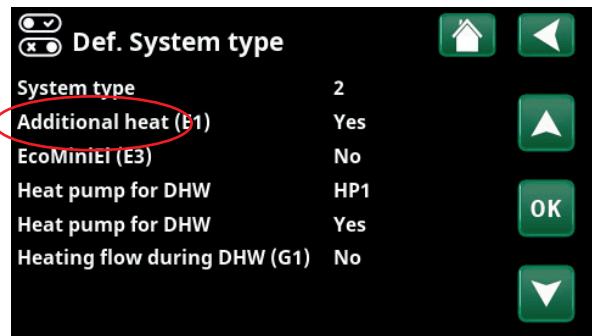
- [E002] Sensor B9 Boiler
- [E007] Sensor B6 Buffer tank
- [E015] Sensor B10 Boiler

To reset these alarms, press the 3 gears at the top right of the start menu to get to the "Installer" menu and then press the "Define" icon.



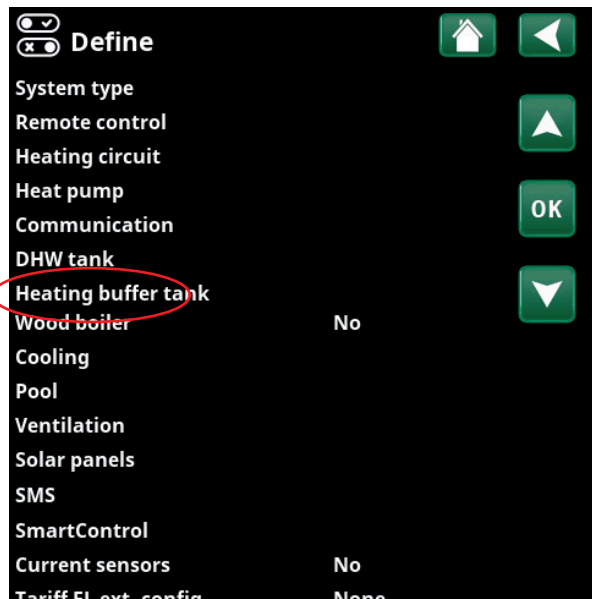
Menu "Installer."

To reset the alarm [E002] and/or [E015], select "Define System type" and change "Additional heat (E1)" from "Yes" to "No". Confirm with "OK".



Example: menu "Installer/Define/System type".

To reset the alarm [E007] (if the "Heating buffer tank" is not defined), click on "Heating buffer tank" in the menu "Define" and change from "Yes" to "No". Confirm with "OK".



Example: menu "Installer/Define".