

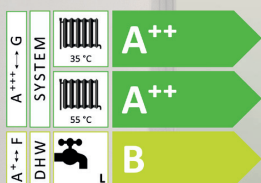
An eco-friendly and
secure investment!

ctc
HEAT PUMPS

CTC EcoZenith i255

Flexible indoor module in two heights.

12-18 kW, models H and L



- Smart and user-friendly
- All-inclusive
- Low ceiling height? No problem!
- 223 litres buffer volume
- Available in 2 heights and 4 versions

Find a CTC distributor in your country - www.ctc-heating.com



MADE IN SWEDEN

CTC EcoZenith i255

The indoor module must never be a weak link – then it won't matter how efficient the heat pump is.

Flexible indoor module

For CTC EcoZenith i255 we have chosen the same technology as in the CTC EcoHeat ground source heat pump. CTC EcoZenith i255 is built with a water buffer that ensures good operating conditions for the compressor, irrespective of the heating system. This minimises the risk of noise problems in your radiator system.

CTC EcoZenith i255 has many advantages: How about intelligent heat pump control? A colour touchscreen? Solar heating connection? Just to mention a few examples.

CTC EcoZenith i255 has a 4.3 inch touch screen, and the user-friendly interface allows you to easily access all the features, just like on your smartphone. In addition, you can easily mirror the display on your tablet, mobile, etc.

But most important of all is the option to switch languages and the clear symbols – you can easily adjust the heating, hot water and other functions or retrieve a wealth of operating data.

The inside is the strong side

The most important function of the indoor module is to produce a lot of hot water as economically and quickly as possible. CTC EcoZenith i255 will not let you and your family down. CTC EcoZenith i255 is always installed with the CTC EcoAir or CTC EcoPart heat pumps and supplies hot water at a temperature of up to 65°C. The tank holds a full 223 litres.

Freedom included

You can add other energy sources now or later. Two connections are ready to link e.g. solar heating, a water-jacketed stove, or why not a pool?

And everything else

- Add ground source heating with CTC EcoComfort, and get free cooling in the summer.
- Choose the height that fits: 1654 or 1904 mm.
- A control function that limits electrical output comes as standard.
- The cover (pictured) is standard but is available in several heights for a neater installation.

Smartgrid and ready for the future

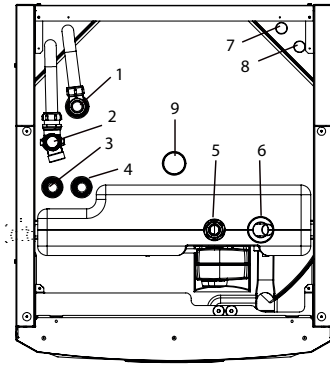
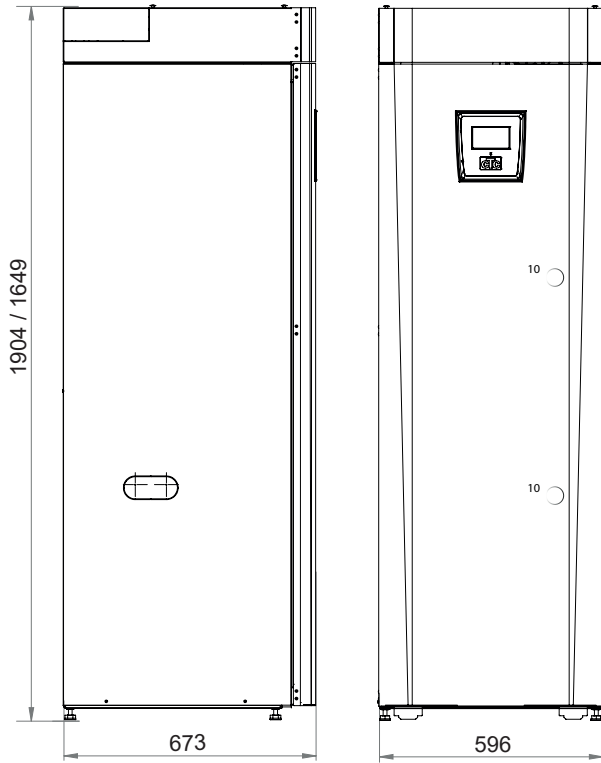
CTC EcoZenith i255 has internet connectivity as standard so that you can easily control your product remotely using the myUplink app. It is also equipped to connect to Alexa, Google Home and the future power grid (SmartGrid).

Technical data 3x400 V		i255 H	i255 L	i255 L inox
CTC-no.		589502001	589500011	589501001
Weight (packaged weight)	kg	182 (211)	165 (192)	157 (184)
Dimensions (depth x width x height)	mm	673 x 596 x 1904	673 x 596 x 1649	
Required ceiling height	mm	1901 (1887)	1659 (1628)	
Sound power L_{WA} B0/W35 (EN 12102)	dB(A)	15		
Electrical data, connection		400V 3N~ 50Hz		
Rated power / optional (18 kW)	kW	15 / 18		
Rated current / optional (18 kW)	A	23.9 / 28.3		
Max. immersion heater output (upper+lower) at group fuse: 10/13/16/20/25 A	kW	15 kW: 2.1+0 / 0.9+6 / 9+0 / 6.9+6 / 9+6 18 kW: 2.1+0 / 0.9+6 / 9+0 / 2.1+9 / 6.9+9		
Recommended fuse / optional (18 kW)	A	25 / 32		
Output range immersion heater / optional (18 kW) (upper+lower)	kW	0.3 - 15/18		
Ingress Protection class (IP)		IP X1		
Max. operating pressure: Heating system (PS)	bar	3.0		
Max. operating pressure: DHW system	bar	10		
Water volume – Heating system (V)	litres	223		
Water volume – DHW system	litres	5.7		
Max. operating temperature (TS)	°C	100		
DHW performance V_{40} (EN 16147)	litres	< 200		
Package efficiency class: W35/55 (A+++ to G) ¹⁾		A++ / A++		
Energy efficiency class DHW (A+ to F) / charge profile (EN16147) ¹⁾		B / L		

¹⁾ CTC EcoZenith is only approved for installation together with heat pumps in accordance with the EU Ecodesign Directive. The data provided is applicable together with CTC EcoPart 410. Energy labels and data sheets can be downloaded from www.ctc.se/ecodesign



Dimensions diagram



1. Bleeding
2. Safety/connection waste pipe 3/4" Ø22
3. Cold water connection Ø22
4. Hot water Ø22
5. Radiator primary flow clamp ring Ø22
6. Radiator return Ø22 /expansion connection
7. From heat pump Ø22 (i255 L)
8. To heat pump Ø22 (i255 L)
9. Lifting sleeve 3/4" BSP
10. Socket for connecting external systems/
EnergyFlex (behind the front plate)

Delivery includes:

Indoor module with manual, factory-fitted housing cover, expansion vessel and supply cable.

Packaging includes:

Charge pump for connecting heat pump (factory-fitted on i255 L), radiator pump, manometer, mixing valve, current sensor, safety valve, room sensor, outdoor sensor, primary flow sensor and return flow sensor. (Different models may vary)

Technical data 400 V		i255 L 1N~	i255 L 3~
CTC-no.		589500002	589500003
Weight (packaged weight)	kg	167 (194)	167 (194)
Dimensions (depth x width x height)	mm	673 x 596 x 1649	673 x 596 x 1649
Required ceiling height	mm	1659 (1628)	1659 (1628)
Sound power L_{WA} B0/W35 (EN 12102)	dB(A)	15	15
Electrical data, connection		230V 1N~ 50Hz	230V 3~ 50Hz
Rated power	kW	12	14
Rated current	A	53.2	34.6
Max. immersion heater output (upper+lower) at group fuse: 20/25/32/35/50/63 A	kW	4 / 5 / 7 / 7 / 11 / 12	7 / 8.2 / 11.7 / 12.9 / 14 / 14
Recommended fuse	A	63	50
Output range immersion heater (upper+lower)	kW	1.0 - 12.0	1.2 - 14.1
Ingress Protection class (IP)		IP X1	IP X1
Max. operating pressure: Heating system (PS)	bar	3.0	3.0
Max. operating pressure: DHW system	bar	10	10
Water volume – Heating system (V)	litres	223	223
Water volume – DHW system	litres	5.7	5.7
Max. operating temperature (TS)	°C	100	100
DHW performance V_{40} (EN 16147)	litres	< 200	< 200
Package efficiency class: W35/55 (A+++ to G) ¹⁾		A++ / A++	A++ / A++
Energy efficiency class DHW (A+ to F) / charge profile (EN16147) ¹⁾		B / L	B / L



info@ctc.se
+46 372 88 000
Fax: +46 372 86 155
P.O Box 309 SE-341 26 Ljungby Sweden



Compatible heat pumps

– refer to individual product sheets for more detailed information.



CTC EcoAir 406–410, 510, 614M–622M



CTC EcoPart 406–412

Smart accessories

– supplement and simplify.

		CTC no.:
CTC Charge Pump 15/7.5–130	A-class PWM for heat pump 10–20 kW	587477304
CTC Extra Shunt group	Complete package for neat and easy installation of additional heating circuits	587396301
CTC Mixing Valve Group 2	For installing an additional heating circuit	586857001
CTC EcoVent 20	Exhaust air unit - Adapted for placement above the heat pump	588000001
CTC EcoComfort	A passive cooling unit that uses the borehole's cool temperature.	585920001
CTC DHW button	Activates the extra hot water function, wire-bound	582515301
CTC Expansion EnergyFlex II	External control of solar/pool/DHW circulation, etc.	589262301
CTC EnergyFlex Kit 400	For flexible top connection of external systems	587236301
CTC Housing cover 588 mm	Hide pipe connections, etc. with a stylish housing cover	586463303R
CTC Housing cover 488 mm	Hide pipe connections, etc. with a stylish housing cover	586463302R
CTC SmartControl Gateway	Base unit able to control up to seven optional units	588300301
CTC SmartControl Repeater	Amplifies the signal between the base unit and the different accessories	588300302
CTC SmartControl Room/Humidity/CO ₂ sensor	Wired sensor that can control ventilation on demand (base unit required)	588300303
CTC SmartControl Room/Humidity Sensor	Solar powered and wireless with rechargeable battery (base unit required)	588305301
CTC SmartControl Room Sensor	Solar powered and wireless with rechargeable battery (base unit required)	588306301
CTC SmartControl Multi-button	Wireless 2 mode button (base unit required)	588307301
CTC Solar Pump Station	Compact solar pump station for solar heating	587700001
CTC Start-kit EcoSol	Start kit for connecting CTC solar control with existing solar system	587458301