



Providing sustainable energy solutions worldwide

Installation and Maintenance Manual

CTC EcoAir 510M

Modulating Air/Water Heat Pump

230 V 1N~

Important!

- Read carefully before use, keep for future reference.
- Translation of the original instructions.



Installation and Maintenance Manual

CTC EcoAir 510M

Modulating Air/Water Heat Pump

230 V 1N~



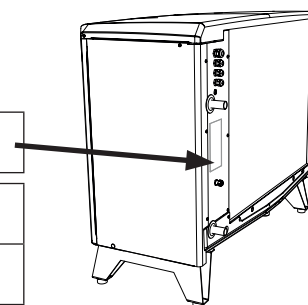
Table of Contents

1. Important to remember! _____	6	6. Electrical installation _____	22
1.1 Transportation _____	6	6.1 General information, electrical connections _____	22
1.2 Positioning _____	6	6.1.1 Electrical installation 230 V 1N~ _____	22
1.3 Recycling _____	6	6.1.2 Communication connection _____	22
1.4 After commissioning _____	6	6.1.3 Compressor heater _____	22
Safety instructions _____	7	6.1.4 Alarm output _____	22
Checklist _____	8	6.1.5 Heat pump connections _____	23
2. Connection option CTC EcoAir 510 230 V 1N~ _____	9	6.1.6 Termination for connection of heat pumps in series _____	23
3. Technical data _____	10	6.2 Communication connection _____	25
3.1 Dimensions diagram _____	11	6.2.1 Connection option for one heat pump _____	25
3.2 Refrigerant system _____	12	6.2.2 Connection option for multiple heat pumps _____	25
3.3 Operating range _____	12	6.3 Connecting the control system _____	26
3.4 Component location _____	13	6.3.1 Define number of heat pumps _____	26
4. Installation _____	15	6.3.2 Numbering CTC EcoPart 510M to HP2 _____	26
4.1 Delivery includes: _____	15	6.3.3 Good to know when setting an address _____	28
4.2 Location of the heat pump _____	16	6.3.4 Numbering CTC EcoPart 510M to A2 _____	29
4.3 Preparation and drainage _____	17	6.4 Wiring diagram 230 V 1N~ (A3) _____	32
4.4 Condensation water _____	18	6.5 Wiring diagram 230 V 1N~ (A4) _____	34
5. Pipe installation _____	19	6.6 Parts list _____	35
5.1 Pipe connection _____	19	6.7 Sensor Data _____	36
5.3 Circulating pump – heat carrier _____	20	7. First start _____	38
5.2 Example of connection to CTC EcoZenith i360 L _____	20	8. Operation and Maintenance _____	39
5.4 Pressure differential diagram for CTC EcoAir 510M 230 V 1N~ _____	21	9. Troubleshooting/Appropriate measures _____	41

For your own reference

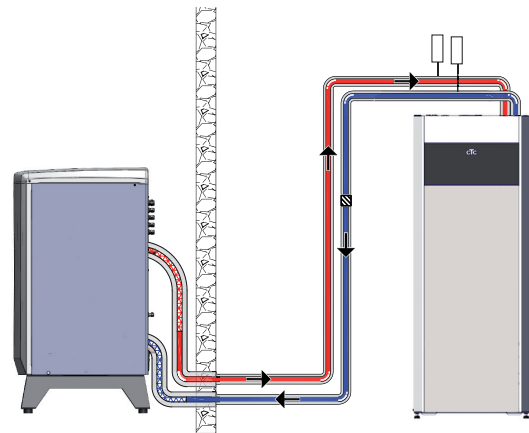
Fill in the information below. It may come in useful if anything should happen.

Product:	Serial number:
Installer:	Name:
Date:	Tel. no.:
Electrical installer:	Name:
Date:	Tel. no.:



Enertech AB provides the information with reservation for any typing errors and subject to modification.

The Complete System



CTC EcoAir 510M

CTC EcoAir 510M is a modulating air source heat pump that takes heat from the outside air and supplies it to the existing heating system in the house. The heat pump works with outdoor temperatures down to -22 °C.

CTC EcoAir 510M is designed to operate with high efficiency and low noise levels. The heat pump has integrated discharge defrosting which keeps the evaporator coil free from ice to maintain high efficiency.

Control

CTC EcoAir 510M is controlled by these products:

- CTC EcoZenith i555/i550 PRO
- CTC EcoLogic M/L/PRO/Family
- CTC EcoZenith i255/i250
- CTC EcoZenith i360/i350
- CTC EcoVent i360F/i350F

Charge pumps

CTC's PWM-controlled charge pumps are available as accessories for CTC EcoZenith i555/i550 PRO and CTC EcoLogic M/L/PRO/Family.

EcoDesign information relating to the current combination (current package) can be downloaded from www.ctc.se/ecodesign. Energy labelling stickers can also be printed from here.

1. Important to remember!

Check the following points in particular at the time of delivery and installation:

1.1 Transportation

- Transport the heat pump to the installation location before removing the packaging. Move the product using one of the following means:
 - Forklift
 - Lifting band around the pallet. NB: Can only be used with the packaging on.
- The heat pump must be transported and stored upright.

1.2 Positioning

- The heat pump must be transported and stored upright.
- Remove the packaging and check before installation that the product has not been damaged in transit. Report any transport damage to the carrier.
- Place the product on a solid foundation, preferably concrete.
If the heat pump needs to be placed on a soft carpet, base plates must be placed under the adjustable feet.
- Remember to leave an access and service area of at least 1 metre in front of the heat pump.
- The heat pump must not be placed below floor level.
- Avoid placing the heat pump in rooms where the walls are of lightweight design, as people in the adjoining room may be disturbed by the compressor and vibrations.

When contacting CTC, always mention the following:

- Serial number
- Model/Size
- the fault message shown in the display
- Your telephone number

1.3 Recycling

- The packaging must be deposited at a recycling station or with the installation engineer for correct waste management.
- Obsolete products must be disposed of correctly and transported to a waste station or distributor/retailer offering this service. Disposal of the product as household waste is not permitted.
- It is very important that the product's refrigerant, compressor oil and electric/electronic components are disposed of correctly.

1.4 After commissioning

- The installation engineer advises the property owner on the design and servicing of the system.
- The installation engineer fills in a checklist and contact information – the customer and installation engineer sign the list, which the customer keeps.
- Make sure to register your product for warranty and insurance via the CTC website:
<https://www.ctc-heating.com/customer-service#warranty-registration>



Information in this type of box [i] is intended to help ensure that the product functions optimally.



Information in this type of box [!] is particularly important for correctly installing and using the product.

Safety instructions



Turn off the power with an omnipolar switch before doing any work on the product.



The product must be connected to protective earth.



The product is classified as IP X4.



When handling the product with a hoist ring or similar device, make sure that the lifting equipment, eyebolts and other parts are not damaged. Never stand under the hoisted product.



Never jeopardise safety by removing bolted covers, hoods or similar.



Never jeopardise safety by deactivating safety equipment.



Any work on the product's cooling system should be carried out by authorised personnel only.



The product's electrical systems should only be installed and serviced by a qualified electrician.

-If the supply cord is damaged, it must be replaced by the manufacturer, its service agent or similarly qualified persons in order to avoid a hazard.



This device can be used by children from the age of eight years and above and by people with reduced physical, sensory or mental ability or lack of experience or knowledge if they have been taught, either with supervision or with the instructions provided, how to use the device safely and understand the risks involved. Children should not play with the device. Cleaning and maintenance should not be carried out by children without supervision.



If these instructions are not followed when installing, operating and maintaining the system, Enertech's commitment under the applicable warranty terms is not binding.

Checklist

The checklist must always be completed by the installation engineer

- If service is needed, you may be required to provide this document.
- Installation must always be done according to the installation and maintenance instructions
- Installation must always be carried out in a professional manner

Following installation, the unit must be inspected and functional checks performed as indicated below:

Pipe installation

- Heat pump filled, positioned and adjusted in the correct manner according to the instructions.
- The heat pump is positioned so that it can be serviced
- Capacity of the charge/radiator pump (depending on type of system) for the flow required.
- Open radiator valves (depending on type of system) and other relevant valves.
- Tightness test
- Bleed the system
- Check proper operation of the requisite safety valves
- Action taken to deal with condensation water

Electrical installation

- Power switch
- Correct tight wiring
- Requisite sensors fitted
- Heat pump activated and started
- Accessories

Customer information (adapted to the relevant installation)

- Start-up with customer/installer
- Menus/controls for selected system
- Installation and maintenance manual supplied to the customer
- Check and filling, heating circuit
- Information on fine adjustments
- Alarm information
- Functional test of safety valves fitted
- Register your Installation Certificate at ctc-heating.com.
- Information on procedures for fault registration

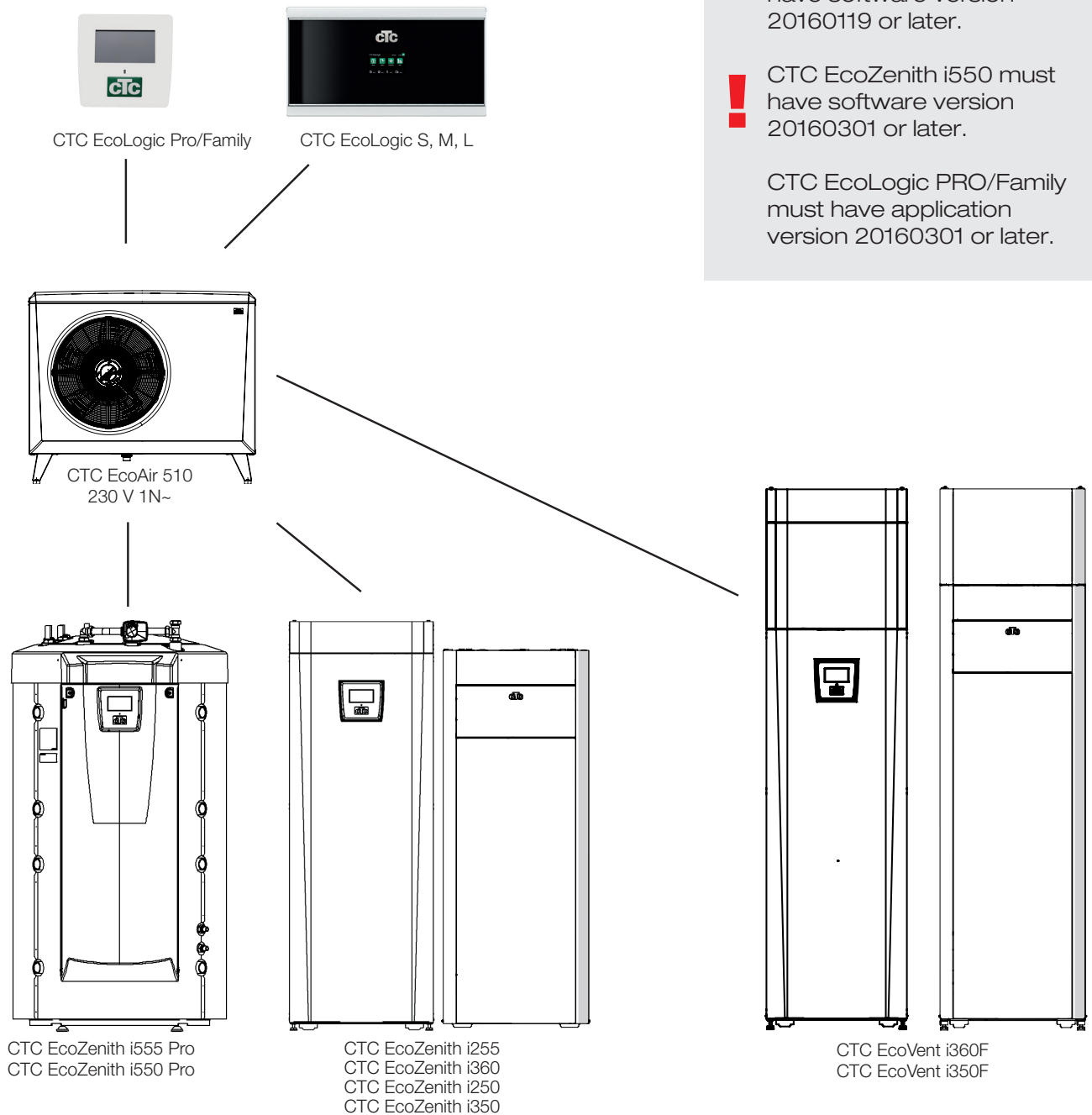
Date/Customer

Date/Installer

2. Connection option CTC EcoAir 510 230 V 1N~

Below are illustrations of the different connection options available for the CTC EcoAir 510 230 V 1N~. In some cases, a CTC Converter or CTC Basic Display may be needed. See the chapter on "Connecting the control system".

CTC EcoAir 510 230 V 1N~ can be connected to the products below.



CTC EcoZenith i250 must have software version 20160119 or later.

! CTC EcoZenith i550 must have software version 20160301 or later.

CTC EcoLogic PRO/Family must have application version 20160301 or later.

3. Technical data

CTC EcoAir 510M		
Electrical data		230V 1N~ 50Hz
Rated power input compressor	kW	4.6
Rated power input	kW	4.78
Rated current compressor	A	20
Rated current	A	20.8
Max start current	A	2.8
Heat. capacity nom: W35 & A+12/+7/+2/-7/-15 (EN14511)	kW	- /6.20 /4.50 /3.50 /2.50
Power input nom: W35 & A+12/+7/+2/-7/-15 (EN14511)	kW	- /1.15 /1.20 /1.25 /1.15
COP nom: W35 & A +12/+7/+2/-7/-15 (EN14511)	-	- /5.39 /3.75 /2.80 /2.17
Water volume	liter	1.9
Refrigerant quantity (R410A, fluorinated greenhouse gases GWP 2088)	kg	2.2
CO2 equivalent	ton	4.594
High pressure switch	bar	45
Max. operating pressure water (PS)	bar	2.5
Dimensions (D x W x H)	mm	545 x 1245 x 1080
Compressor / Oil type		Twin rotary / PVE FV50S
Air flow 100%	m ³ /h	3800
Fan speed	rpm	Modulating
Fan, max power	W	73
Weight with/without packaging	kg	155/136
CTC nr.		587601001
Ingress Protection class (IP)		IP 24
Heat pump Keymark Cert. No.		012-061

No annual leakage control of the refrigerant is required.

! Note: In case of deviations, the product's data plate applies. When servicing always check the product's data plate for correct refrigerant quantity.

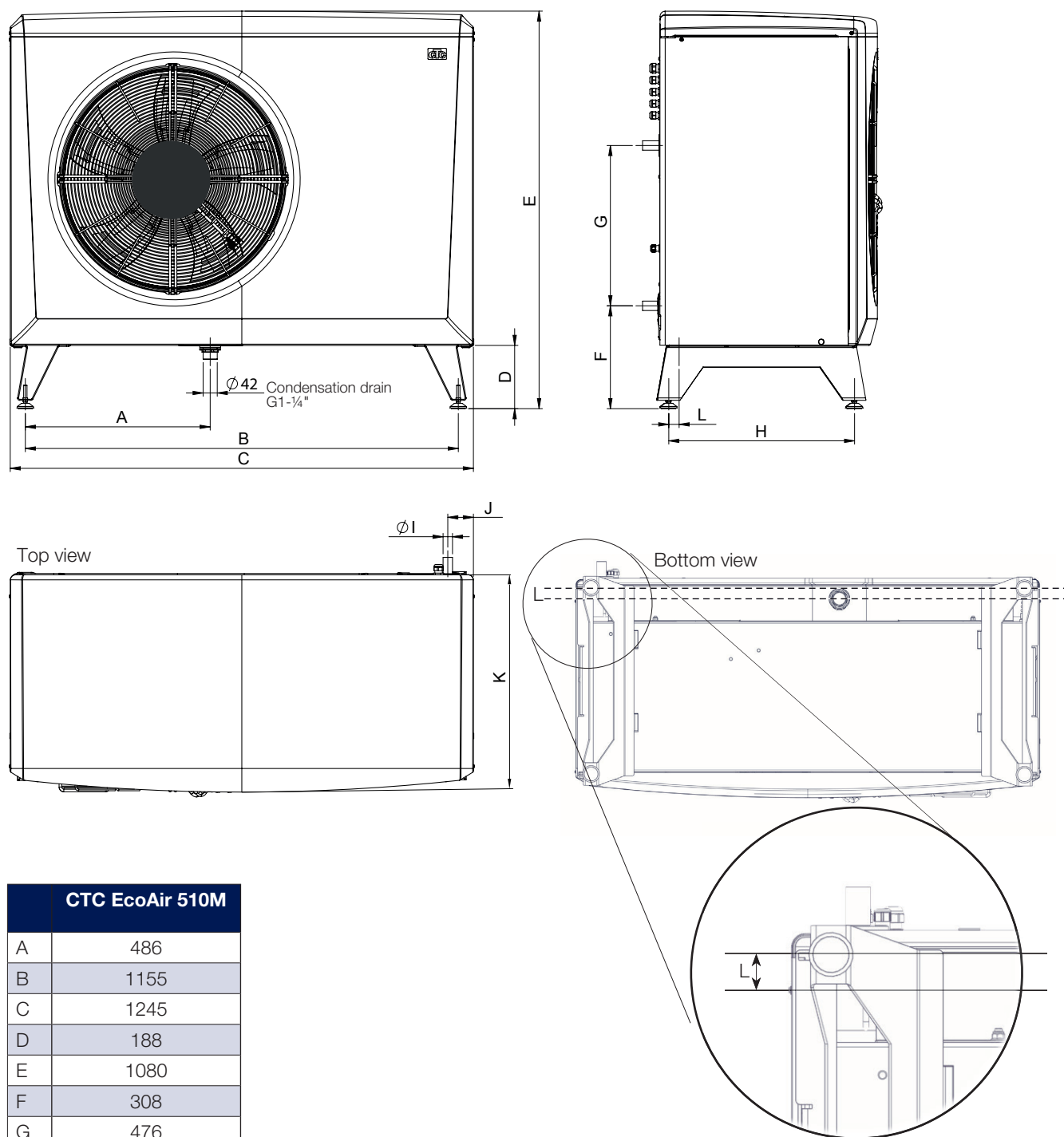
Sound data

	Sound power ¹⁾	Sound pressure 5 m ²⁾	Sound pressure 10 m ²⁾
CTC EcoAir 510M	58/58 dB(A)	39 dB(A)	33 dB(A)

¹⁾ Sound power level in accordance with EN12102 at L_{WA} A7/W35 / L_{WA} A7/W55.

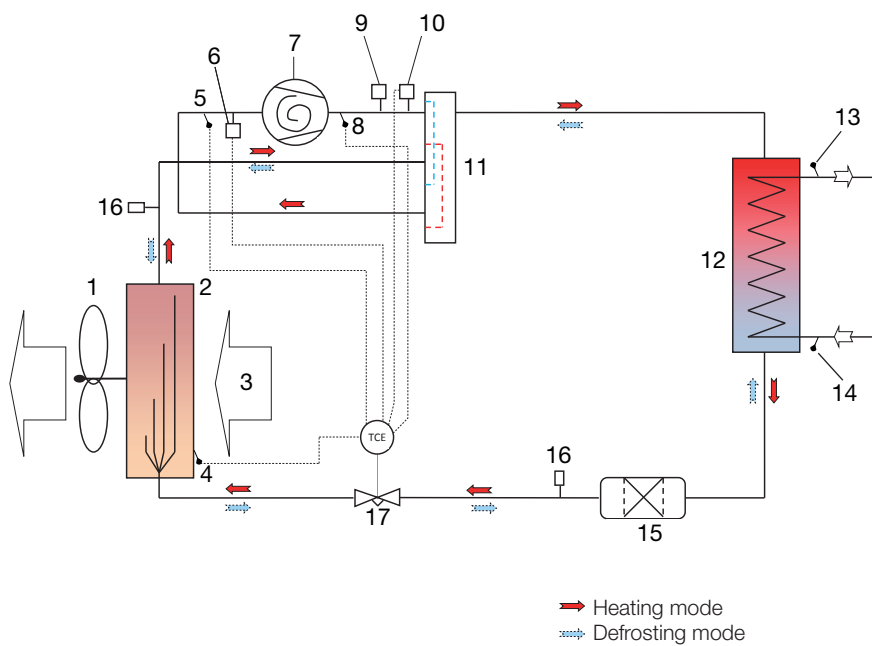
²⁾ Sound pressure level at L_{PA} A7/W35.

3.1 Dimensions diagram



CTC EcoAir 510M	
A	486
B	1155
C	1245
D	188
E	1080
F	308
G	476
H	451
I	$\varnothing 28$
J	85
K	545
L	10

3.2 Refrigerant system

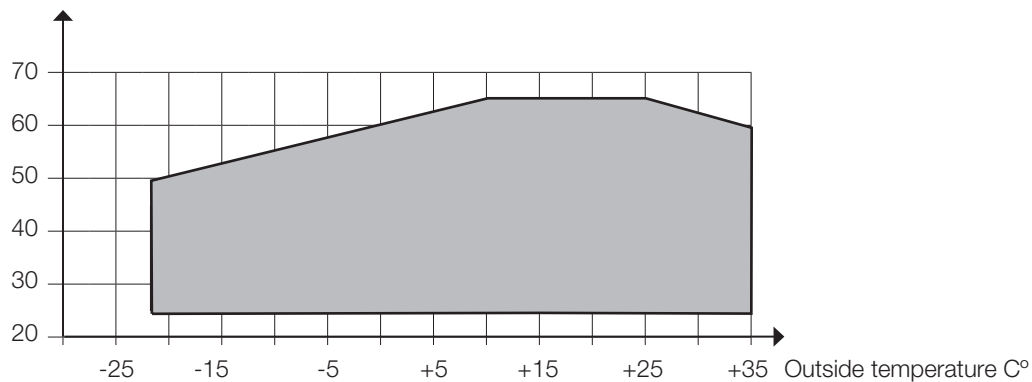


1. Fan
2. Evaporator
3. Air
4. Defrosting sensor (B16)
5. Suction gas sensor (B22)
6. Low pressure sensor (B101)
7. Compressor
8. Hot gas sensor (B2)
9. High pressure switch
10. High pressure sensor (B100)
11. 4-way valve
12. Condenser
13. Primary flow sensor (B1)
14. Return sensor (B7)
15. Drying filter
16. Schrader
17. Expansion valve

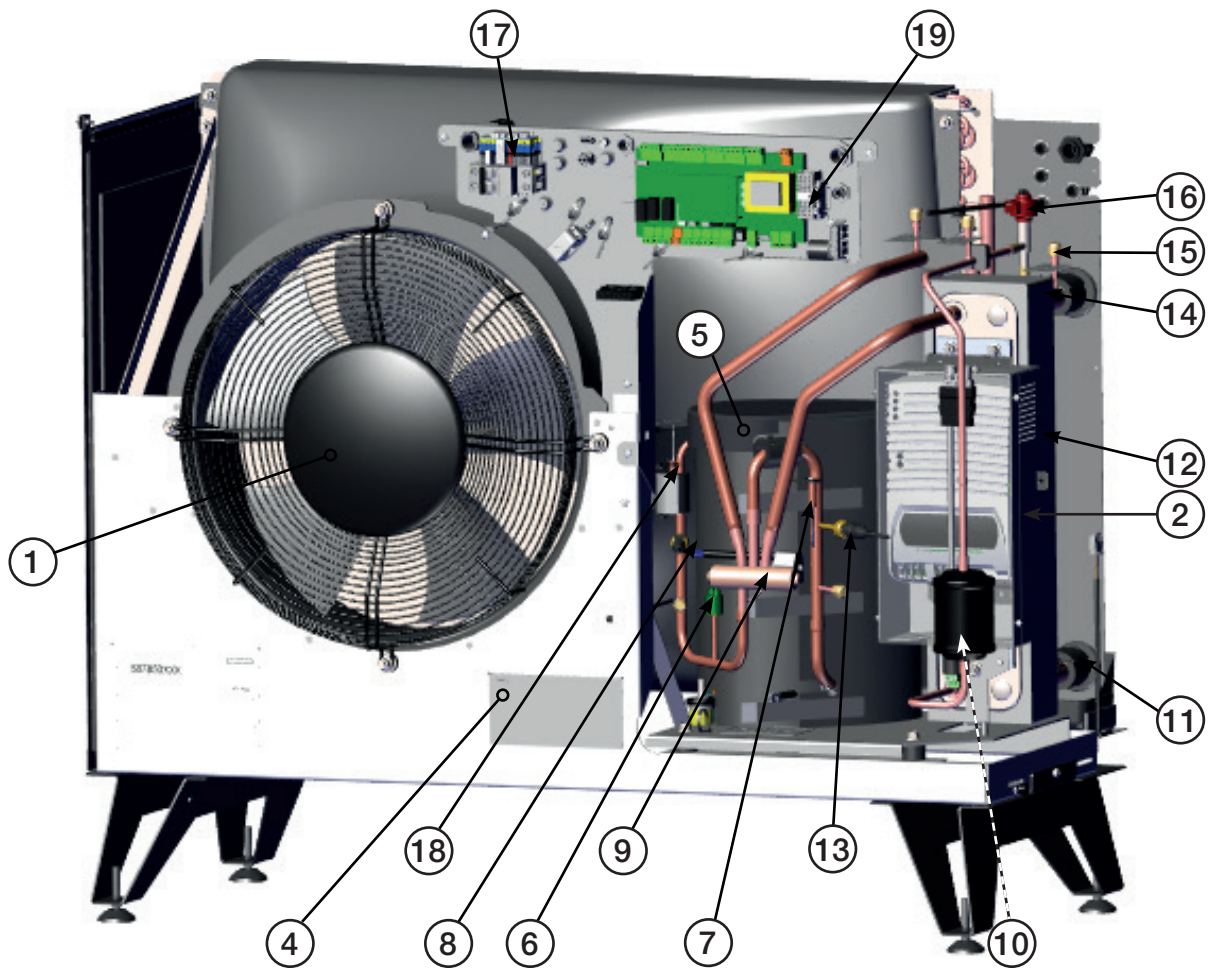
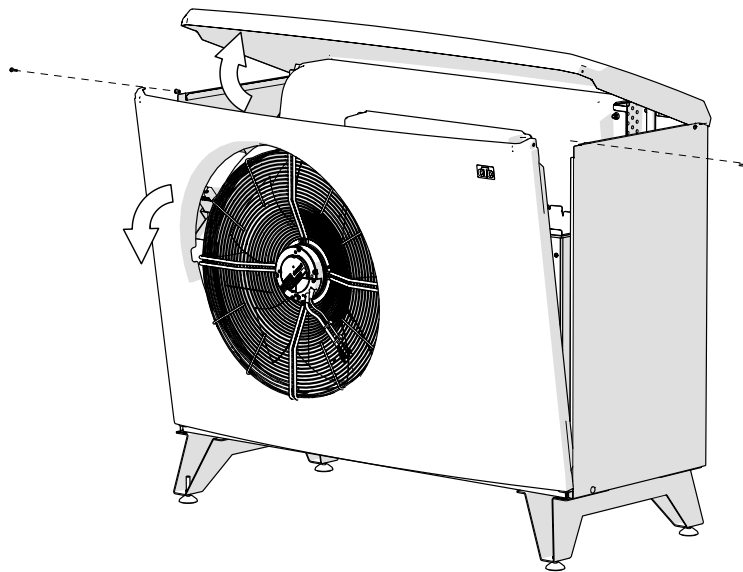
3.3 Operating range

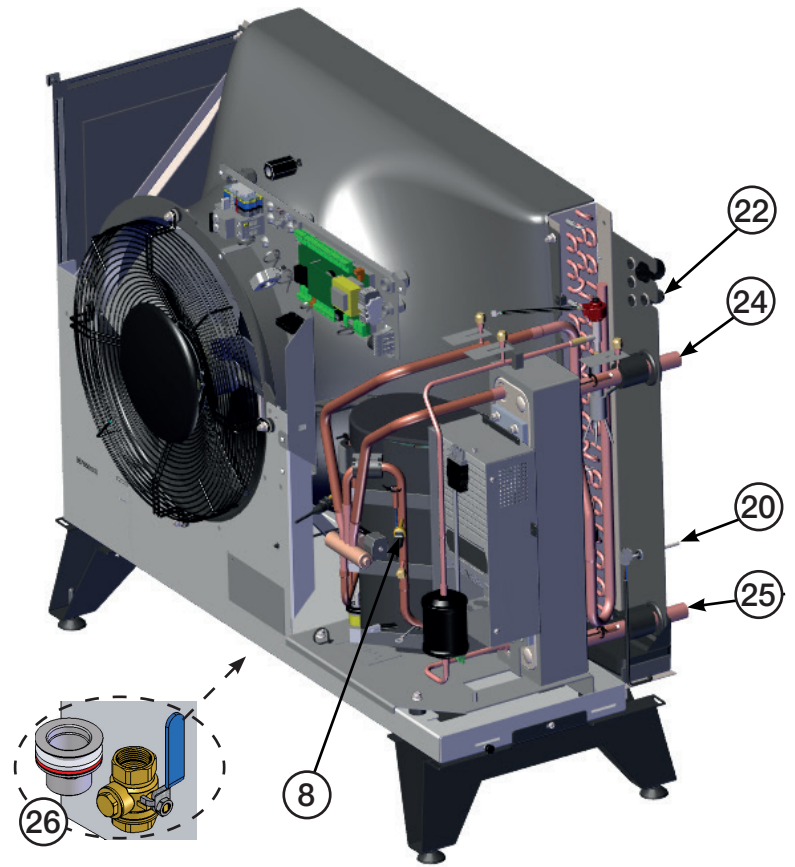
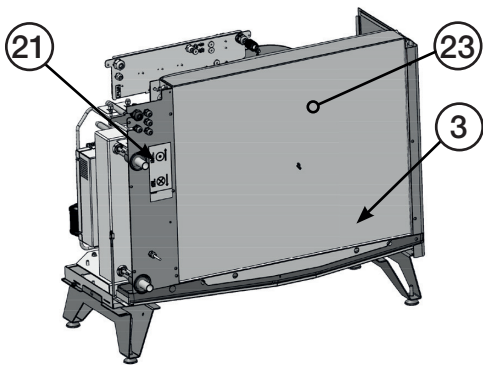
The control system for CTC EcoAir 510M monitors and ensures that the product is working within its operating range.

Primary flow C°



3.4 Component location





- | | |
|---------------------------------------|---|
| 1. Fan | 15. Bleeding nipple/water |
| 2. Frequency converter | 16. Expansion valve |
| 3. Defrosting sensor in evaporator | 17. Connection box |
| 4. Type plate with serial number etc. | 18. Discharge sensor |
| 5. Compressor | 19. Communication |
| 6. High pressure switch | 20. Outdoor sensor |
| 7. Suction gas sensor | 21. Serial number |
| 8. High pressure sensor | 22. Communication product |
| 9. 4-way valve | 23. Evaporator |
| 10. Drying filter | 24. Primary flow Ø28 mm |
| 11. Return sensor | 25. Return flow Ø28 mm |
| 12. Heat exchanger | 26. Packaged components (filter ball valve and condensate drain) in box under product on pallet |
| 13. Low pressure sensor | |
| 14. Primary flow sensor | |

4. Installation

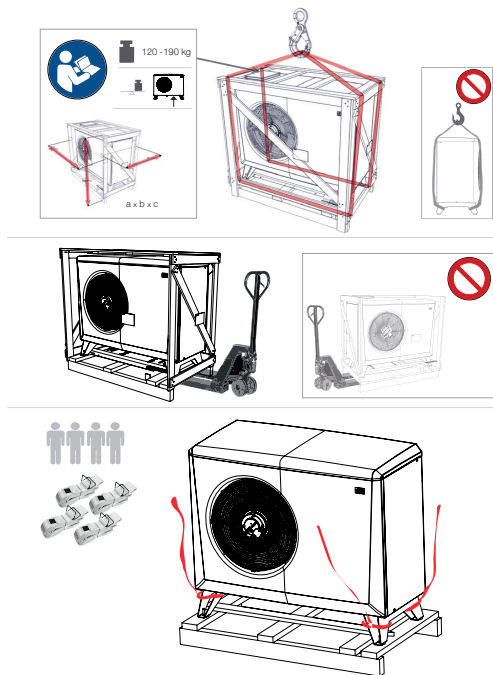
This section is aimed at anyone responsible for one or more of the installations required to ensure that the product works the way the property owner wants.

Take your time going through functions and settings with the property owner and answer any questions. Both you and the heat pump benefit from a user who has completely understood how the system operates and should be maintained.

The installation must be carried out in accordance with current MCS standards. Refer to MIS 3005 and associated building regs Part L,F & G.

4.1 Delivery includes:

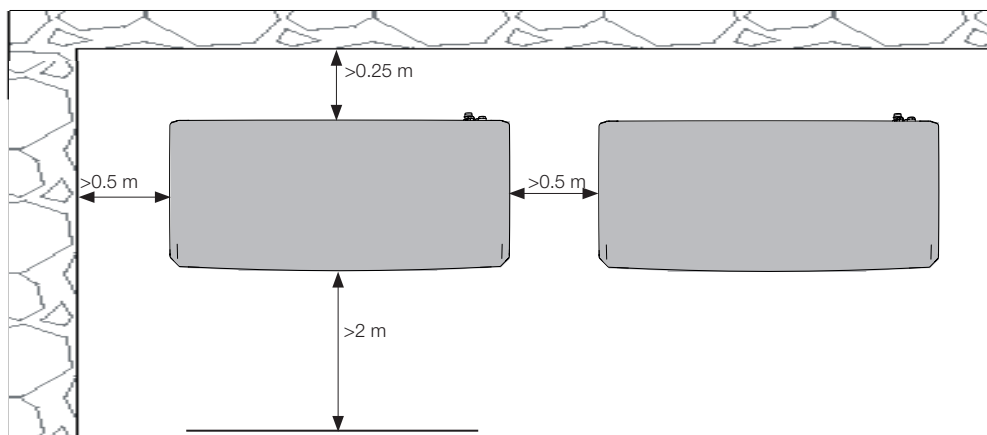
- 1 x Heat pump CTC EcoAir 510M
- Packaged components (see chapter titled 'Component Location')
 - filter ball valve: G1"
 - condensation drain: G1¼"
- 15 m cable LiYCY (TP 2x2x0.75 mm²) with connector for communication, fitted
- 2 m power cable (3G x 4 mm²), fitted.



4.2 Location of the heat pump

- CTC EcoAir 510M is normally placed against an outside wall.
- CTC EcoAir 510M has a factory-fitted condensation water tray from which condensation water is conducted to a caisson, surface water drain, downpipe or other drainage equipment. You should therefore consider the position of the product.
- If the condensation water pipe is not used, the foundation must be such that condensing water and melted snow can drain into the ground. Make a 'stone curb' under the heat pump. Remove 70–100 cm and fill up with crushed stones to obtain the best possible drainage.
- There should be a space of at least 250 mm between the heat pump and the wall so that outdoor air can pass freely in through the evaporator.
- Allow a space of at least 2 metres between the heat pump and any bushes etc.
- Place the heat pump so that noise from the compressor and fan does not disturb the surroundings.
- Do not place the heat pump right next to a bedroom window, patio or fence.
- Take the distance to the nearest neighbour into account by studying the noise data in the “technical data” chapter.
- The stand must stand stably on concrete blocks or similar.
- Use a spirit level to adjust the unit, so that it is completely level.
- Due to the design of the stand and the weight of the pump, it is not necessary to mount the unit to the ground or the wall.
- Installing the heat pump in a sheltered spot is inadvisable, and so is placing it in an outhouse or car port. because the air should flow as freely as possible through the heat pump and used air should not to be sucked into the inlet on the back. This can cause abnormal ice formation in the evaporator.
- If the product is located where it will be subjected to particularly harsh weather conditions, the product can be installed underneath a small awning.

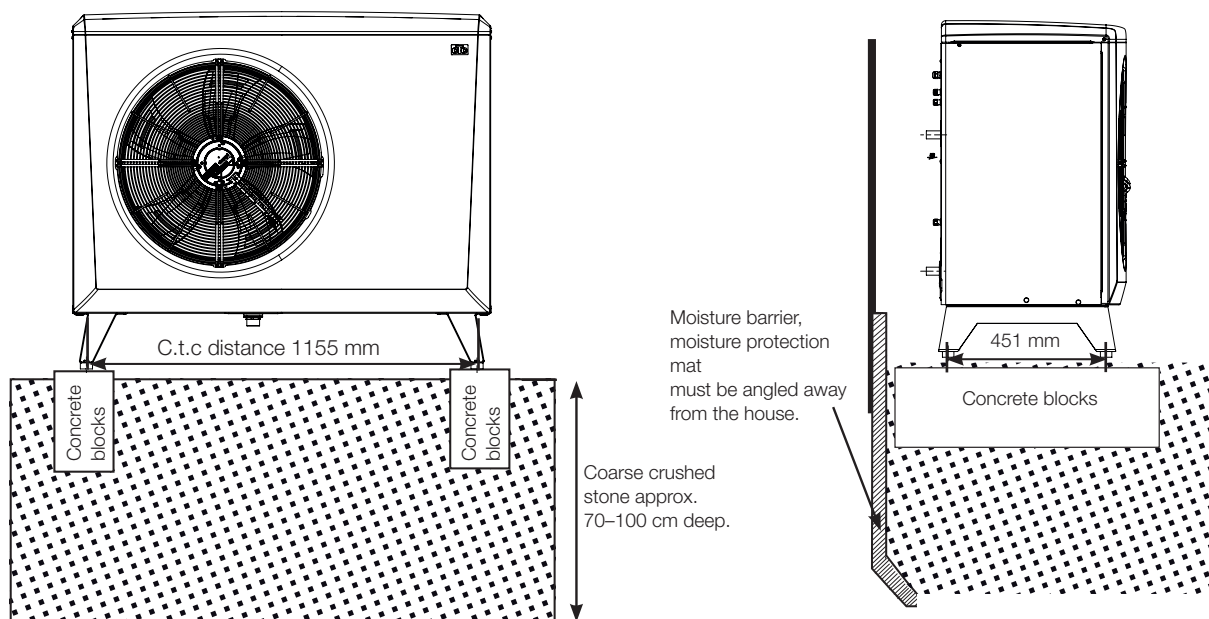
! These guidelines must be followed to achieve optimal performance from your CTC EcoAir 510M



4.3 Preparation and drainage

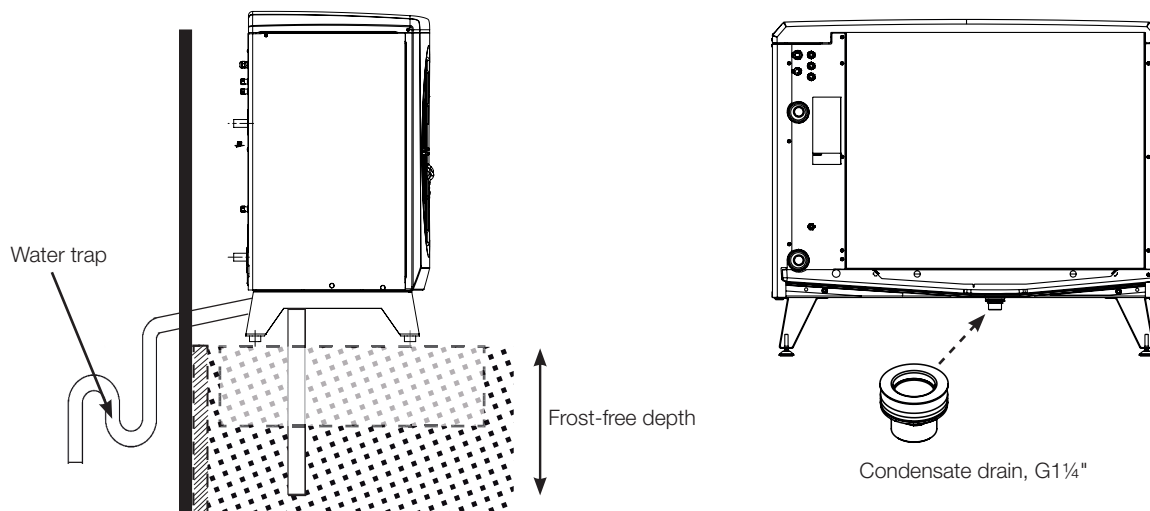
The heat pump should be positioned so that the house cannot be damaged and the condensation water can easily drain into the ground. The base must be of concrete blocks or similar, resting on crushed stones or gravel.

- Make a 'stone curb' under the heat pump. Remember that there may be up to 70 litres of condensation water a day under some conditions.
- Dig a hole in the ground 70-100 cm deep.
- Place a moisture barrier in the hole on the side against the foundations of the building
- Half fill the hole with crushed stones and lay concrete blocks or similar.
- Mark the centre-to-centre (c.t.c) distance (1155 mm) between the blocks correctly so that the heat pump legs fit in.
- Use a spirit level to ensure that the blocks are level.
- Place crushed stones around the blocks in order to achieve optimal drainage.



4.4 Condensation water

- The condensation tray is built into the heat pump and is used to divert most of the condensation water. The tray can be connected to a suitable drain. Connection diameter: 42 mm.
- A heating cable (available as an accessory) should be placed in the pipe to prevent refreezing. The heating cable is connected to the electrical cabinet in CTC EcoAir 510M. (Must be performed by an authorised electrician and according to applicable provisions.)
- If the house has a cellar, it is advisable to route the condensation water to a floor drain indoors (to be performed according to the applicable rules). The pipe should be installed with a slope towards the house and above the ground (so no other water can get into the cellar). Wall apertures should be sealed and insulated. A water trap must be connected to the inside to prevent air from circulating in the pipe.
- If there is a stone curb, the outlet from the condensation water pipe should be placed at a frost-free depth.
- The condensation water may also be routed into the house drains, e.g. from the downpipes. Here a heating cable must be placed in the pipes that are not frost-free.



5. Pipe installation

The installation must be carried out in accordance with current MCS standards. Refer to MIS 3005 and associated building regs Part L,F & G. The boiler must be connected to an expansion vessel in an open or closed system. Do not forget to flush the heating circuit clean before connection.

5.1 Pipe connection

- A return line of at least 22 mm copper pipe is connected to the heat pump.
- Route the pipes between the heat pump and the boiler without any highest points. If this cannot be done, provide this highest point with an automatic air separator or an in line aerator.
- The connection to the heat pump should be made with a wire-reinforced diffusion-tight hose for DHW, min 1" diameter (available as an accessory).

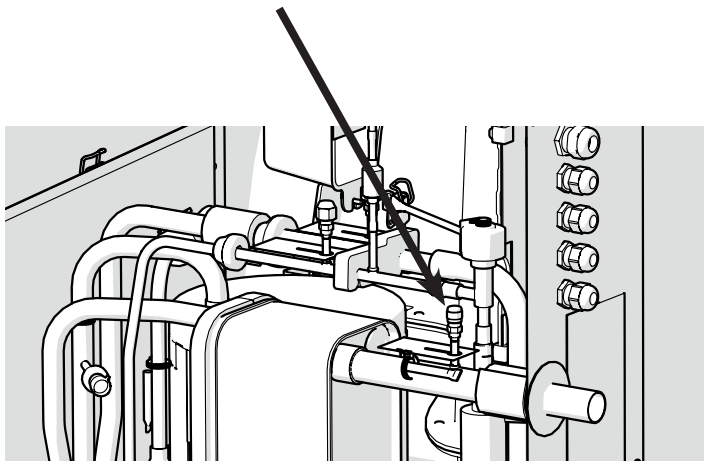
The recommended hose length is 1000 mm, to prevent noise transmission into the property and to allow for movement of the heat pump.

- Pipes installed outside should be insulated with at least 13 mm thick pipe insulation which is not sensitive to water. Ensure that the insulation is sealed tightly everywhere and that joints are thoroughly taped or glued.
- Indoor pipes should be insulated all the way to the boiler with at least 9 mm thick insulation. This is to enable the heat pump to deliver the highest possible temperature to the boiler or tank without any losses.
- The product can be bled via the bleed valve inside the condenser. **Note Only bleed this valve. Other valves are for the cooling system! If these are opened, refrigerant may leak out!**

! Do not forget to flush the heating circuit clean before connection.

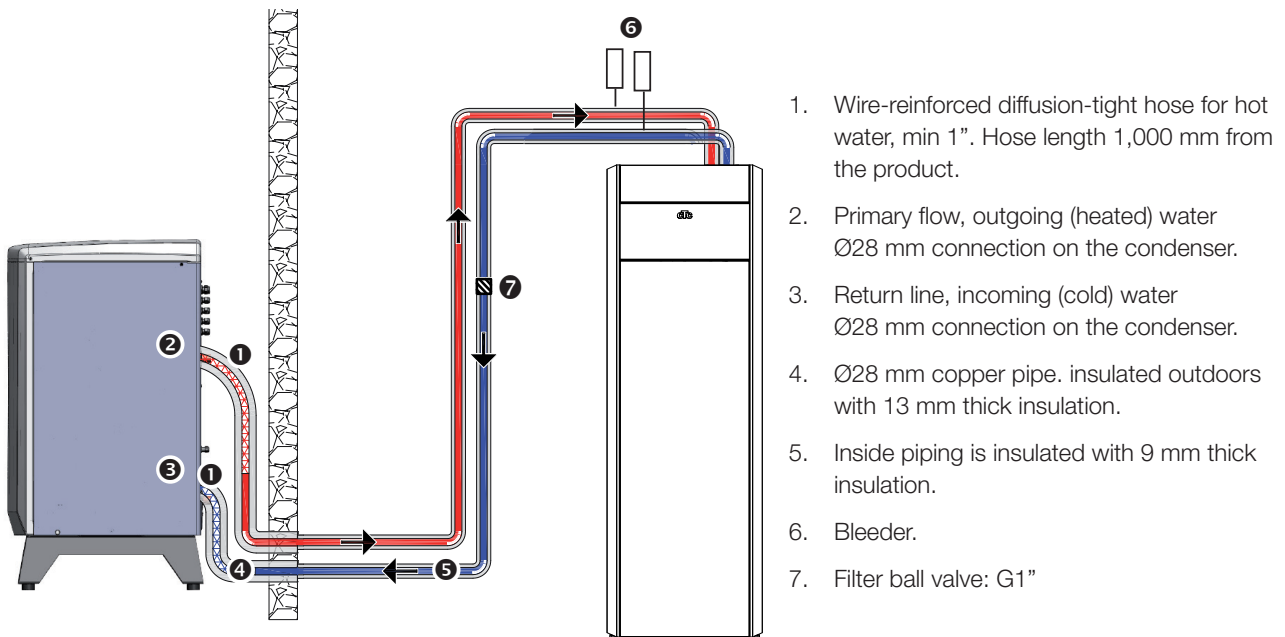
! Minimum water volume in the heating circuit (>25 °C) for reliable defrosting functionality:

EcoAir 510M 50 l



5.2 Example of connection to CTC EcoZenith i360 L

CTC EcoZenith i360 L has pipes at the rear right edge for connection of the heat pump. The heat pump's lower connection is connected to the right connection when viewed from the front, so that water is pumped out to the heat pump. The heat pump's upper connection is thus connected to the right connection.



EcoAir/EcoZenith i360 H

On CTC EcoZenith i360 H, the heat pump is connected directly to the charge pump located under the tank. The heat pump's lower connection must be connected to the charge pump so that water is pumped out to the heat pump. The heat pump's upper connection is connected to the right 3-way valve by the charge pump.

5.3 Circulating pump – heat carrier

The pump transports the heat from EcoAir to CTC EcoZenith. If the outdoor temperature is below +2°C the pump runs constantly to eliminate any risk of freezing.

If the product installed at a facility where power outages can occur, then it is advisable to supplement with an emergency power generator for the charge pump. It is also possible to install mechanical frost protection.

The product used for control monitors and ensures that the heat pump works within its operating range.

Speed setting

For CTC EcoZenith i350, the speed of the circulation pump is set in the "Installer/Settings/Heat pump" menu.

Setting the temperature differential

For external control, a circulation pump is installed so that the right flow through the heat pump can be guaranteed.

Set the right temperature differential by adjusting the speed of the circulation pump.

This is to ensure that the right differential for the current outdoor temperature is produced according to the table.

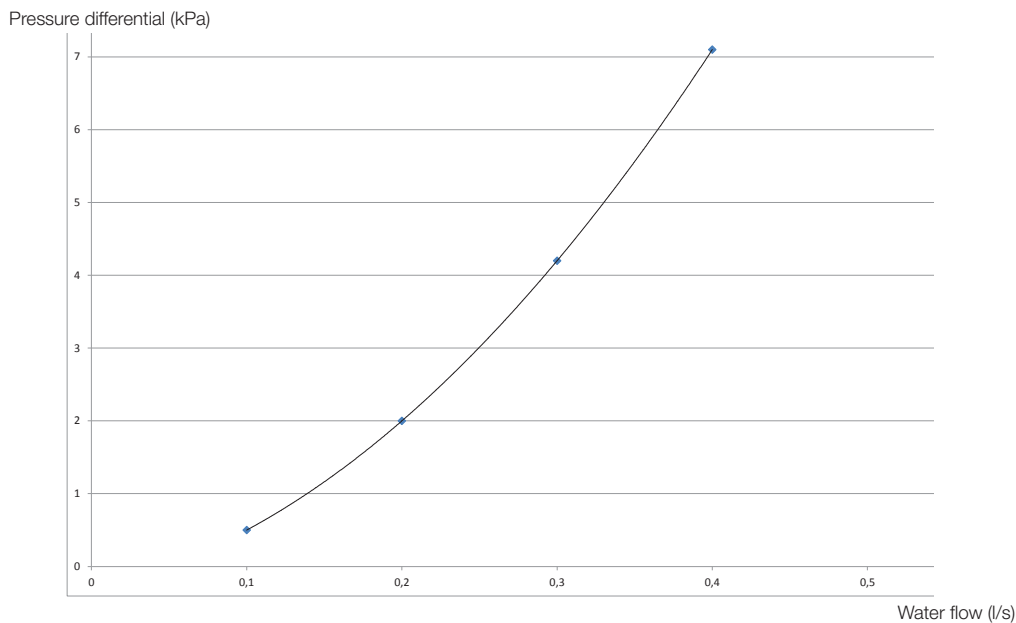
At outside temp (°C)	-10	-5	0	+5	+7	+10	
CTC EcoAir 510	Primary flow 35 °C flow = 0.21 l/s	4 °C	4.5 °C	5.5 °C	6.5 °C	7 °C	8 °C

In some systems with EcoLogic, the entire radiator flow must go through the heat pump, so the pump must be sized according to the flow of the whole system.

To ensure safe operation, EcoAir 510 should have a flow rate no less than 760 l/h.

This provides a temperature differential of approx. 7 °C for an outside temperature of +7 °C and a primary flow temperature of 35 °C at a minimum flow of 0.21 l/s.

5.4 Pressure differential diagram for CTC EcoAir 510M 230 V 1N~



6. Electrical installation

6.1 General information, electrical connections

Installation and heat pump connection must be performed by an authorised electrician. All wiring must be installed according to applicable provisions. Before the front panel is opened or other live components are made accessible, the power supply to the heat pump must be fully disconnected.

Omnipolar safety switch

The installation should be preceded by an omnipolar safety switch according to overvoltage category III, which ensures disconnection from all electric power sources.

If there already is a ground fault breaker, the CTC EcoAir must also be fitted with its own ground fault breaker with on/off delay.

6.1.1 Electrical installation 230 V 1N~

CTC EcoAir 510M must be connected to 230 V 1N~ 50 Hz and protective earth.

The 2 m long power supply cable is pre-connected to the product.

6.1.2 Communication connection

The communication cable used is the provided LiYCY (TP) which is a 4-conductor shielded cable, where the communication-bearing conductors are of twisted pair type.

When connecting CTC EcoAir 510M to CTC EcoZenith i250/i350/CTC EcoVent i350F, the communication cable (LiYCY (TP)) must be connected directly to the product.

6.1.3 Compressor heater

The compressor heater automatically heats up when the compressor is cold.

The compressor heater is pre-connected on delivery.

6.1.4 Alarm output

CTC EcoPart 510M is fitted with a potential-free alarm output which is activated if any alarm is active in the heat pump. This output may be connected to a maximum load of 1 A 250 V AC. An external fuse should also be used. A cable approved for 230 V AC must be used for connecting this output, irrespective of the load that is connected. For connection information, see the wiring diagram.

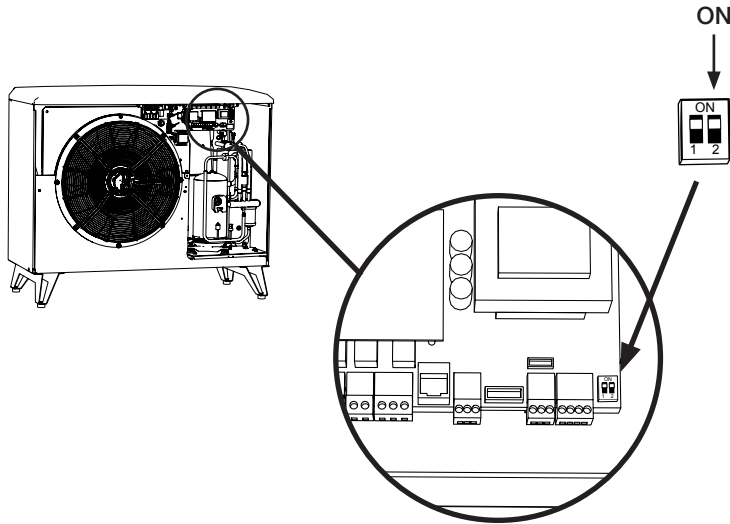
- ! The installation should be preceded by an omnipolar switch.
- Even if a residual current device is used, CTC EcoAir must still be fitted with its own residual current device with on/off delay.



Close-up from wiring diagram

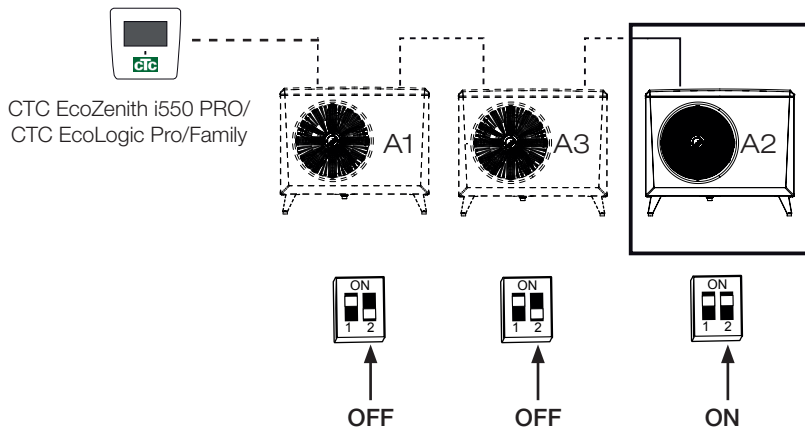
6.1.5 Heat pump connections

When installing a heat pump, dip-switch 2 should be set to the ON position.
(Factory setting)



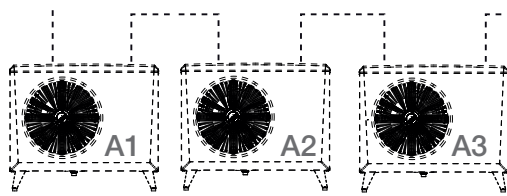
6.1.6 Termination for connection of heat pumps in series

In a series connection, DIP switch 2 must be set to the OFF position on all the heat pumps except the last one, which should be in the ON position.



! When connected in series, the last heat pump must be set to terminated position.

Heat pumps in series connection



OFF

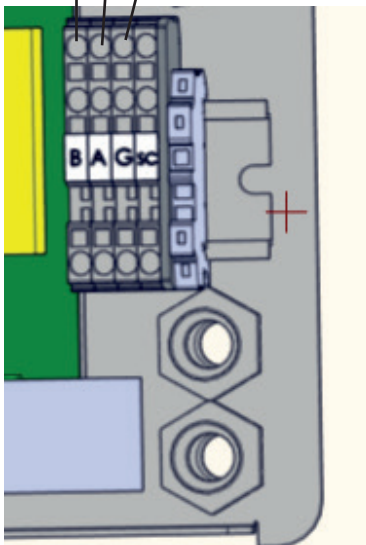


OFF



OFF

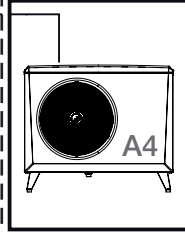
B A G Sc
Brown
White
Green
Display
setup



Connect each cable to the next heat pump in the series connection here.

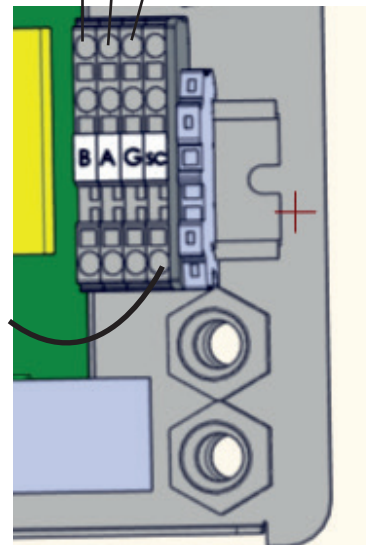
Remove the jumper (PE); connect the shielding to the next heat pump here.

The last heat pump connected in series



ON

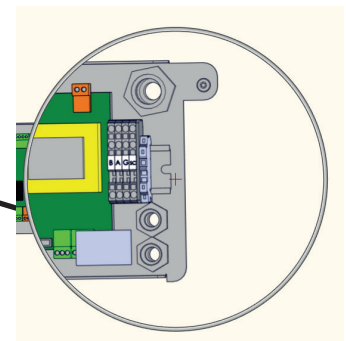
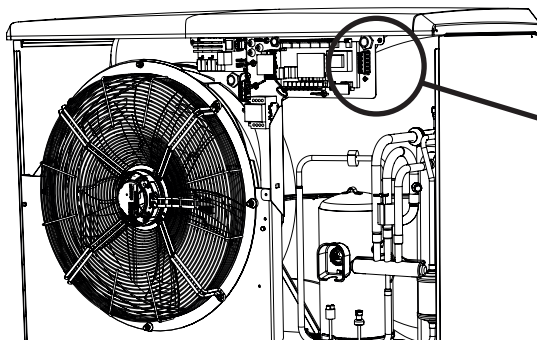
B A G Sc
Brown
White
Green
Display
setup



PE

Make sure DIP switch 2 is in the ON position on the last heat pump in the series connection.

The jumper (PE) must be left in place.



6.2 Communication connection

6.2.1 Connection option for one heat pump

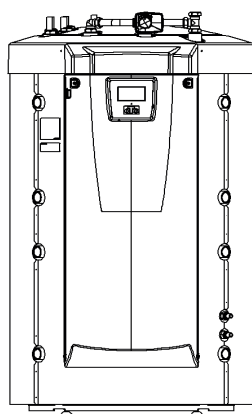
CTC EcoZenith i250/i255/ CTC EcoZenith i350/i360 CTC EcoZenith i550/i555 Pro/ CTC EcoLogic PRO/ Family/M/L

When connecting CTC EcoAir 510M to CTC EcoZenith i250/i350/i255/i360 CTC EcoVent i350F/i360F, CTC EcoZenith i550/i555 Pro and CTC EcoLogic Family/Pro, the communication cable (LiYCY (TP)) must be connected directly to the respective product.

6.2.2 Connection option for multiple heat pumps

CTC EcoZenith i550/i555 Pro/ CTC EcoLogic PRO/ Family/M/L

EcoZenith i550/i555 PRO and CTC EcoLogic PRO/Family/M/L can control several heat pumps.

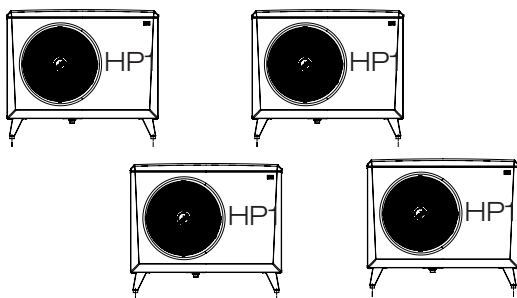


CTC EcoZenith i550/i555 Pro



CTC EcoLogic

All heat pumps are supplied as HP1.

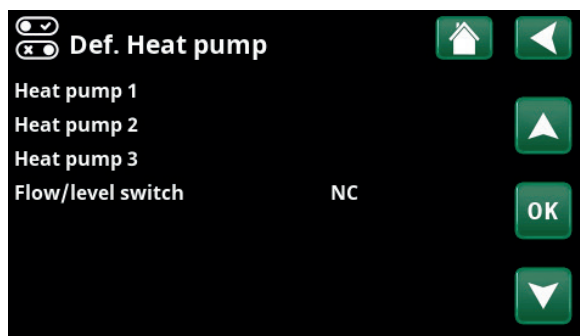


6.3 Connecting the control system

6.3.1 Define number of heat pumps

Define the heat pumps in the controlling product's display under: "Advanced/Define system/Heat pump".

Set the heat pumps contained in the system to position "On".



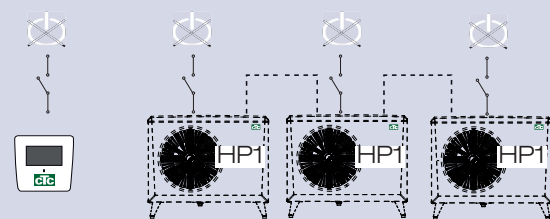
Example of a system with 3 heat pumps.

6.3.2 Numbering CTC EcoPart 510M to HP2

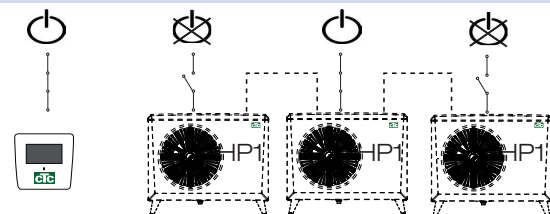
Applies to control launched in October 2020 with three connectors on the back of the display. 2 RJ-45 and 1 RJ-12.



1. System disconnected from power.



2. Power up the control (CTC EcoLogic or EcoZenith i555 Pro) as well as CTC EcoAir 510M which will be numbered as Heat Pump 2 (HP2).

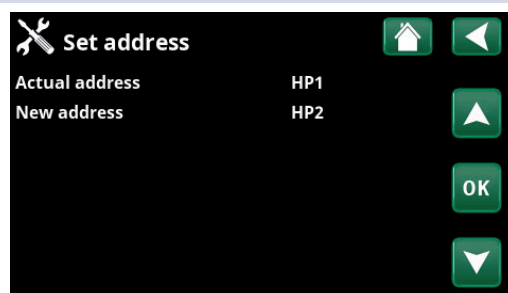


3. Wait for about 2 minutes.

4. Go to "Installer/Service/Set Address".

Select "Actual address", press OK and press the down arrow until the current heat pump appears (HP1) Press OK.

Select "New address", press OK and use the arrow to scroll up and down until the actual address of the heat pump is shown (HP2). Press OK.

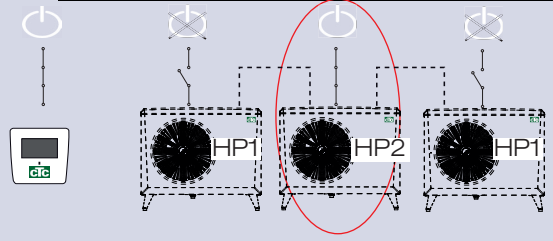
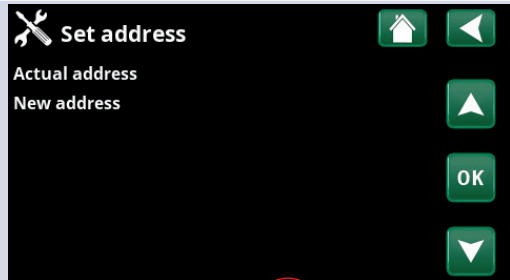


! *CTC EcoZenith i550 Pro does not control CTC EcoAir 610M.

5. The heat pump is now numbered (VP2).

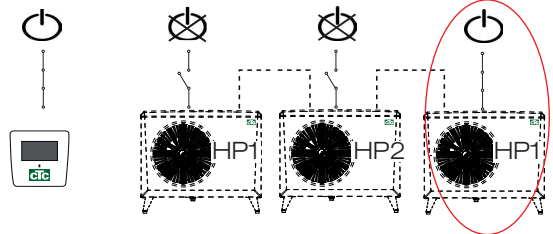
When you press OK, (VP1 and VP2)* disappears and the row "Current address/New address" will go dark.

**In this example, we have assumed that the heat pump is called VP1, which is the factory default. If the heat pump has already been renumbered, then select this number instead.*



6. Number the other heat pumps:

Power up the next heat pump, which will be numbered heat pump 3 (HP3).

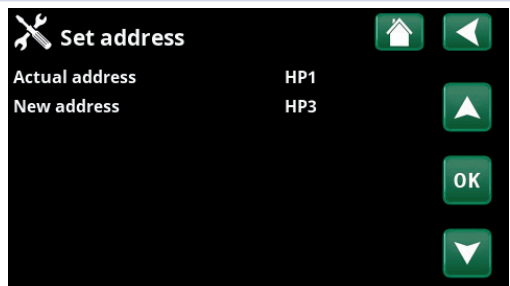


7. Wait 2 minutes.

8. Go to "Service/Set Address".

Select "Actual address", press OK and press the down arrow until the current heat pump appears (HP1) Press OK.

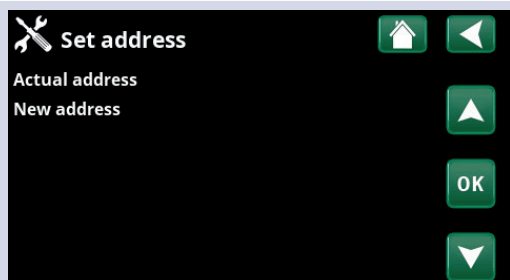
Select "New address", press OK and press the up arrow until the actual address of the heat pump is shown (HP3). Press OK.



9. The heat pump is now numbered (HP3).

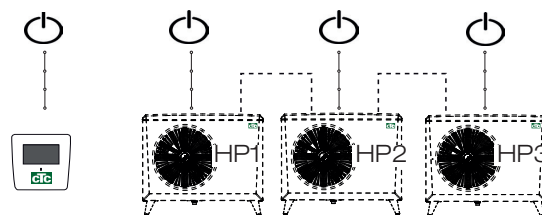
When you press OK, (HP1 and HP3)* disappears and the row "Actual address/New address" will go dark.

**In this example, we have assumed that the heat pump is called HP1, which is the factory default. If the heat pump has already been renumbered, then select this number instead.*



10. Redo the procedure according to the number of heat pumps to be numbered.

When all heat pumps are numbered and energised, they should be displayed when you press the heat pump symbol in the menu "Operation data". If any heat pump does not appear in the menu (communication with the heat pump fails) It may be because it has not been numbered as described above.



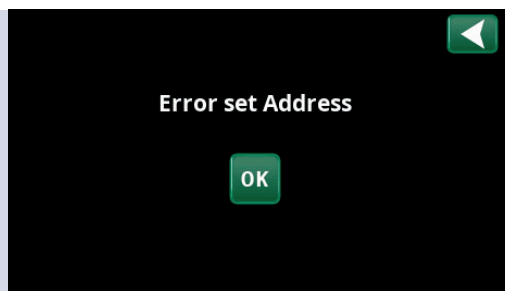
If you do not know the name of the heat pump, you can reset the numbering by using the "Select/Rename Heat Pump" menu (refer to points 9 and 10 above) to indicate all possible names of the heat pump, i.e. you select and confirm HP1 and then HP2 up to HP10 to ensure that the correct name is given.

Finally, test that the respective heat pump starts via the "Installer/Service/Function test/Heat pump" menu.

6.3.3 Good to know when setting an address

Error set Address

- The heat pump could not be found and numbered.
- The heat pump was not what it was supposed to be called.
- No communication with the heat pump.
- Check that the heat pump is powered up.



If the address setting fails, the latest heat pump addresses remain. In this example HP1 and HP2.

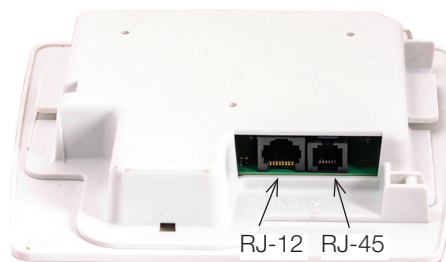
- Make sure the heat pump is powered up.
- Try again with a new actual address.



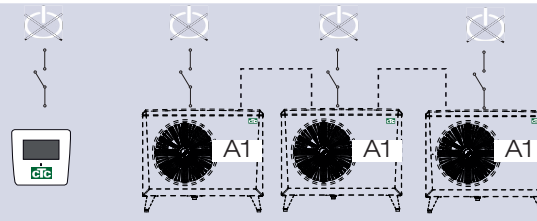
6.3.4 Numbering CTC EcoPart 510M to A2

Applies to older controls with 2 connectors on the back of the display.

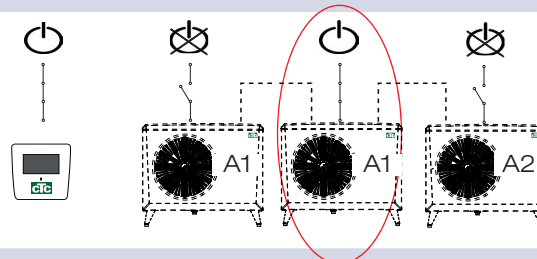
1 x RJ-45 and 1 x RJ-12 for the CTC EcoZenith i550 Pro and CTC EcoLogic Pro/Family.



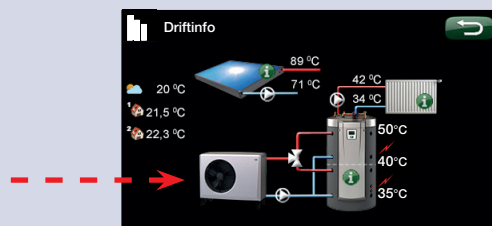
1. System disconnected from power.



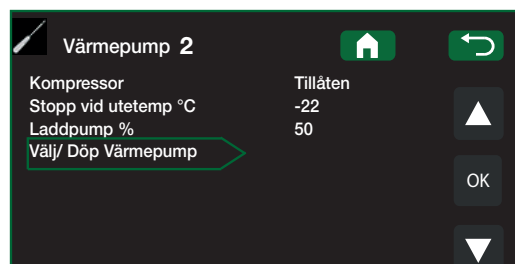
2. Power up the control (EcoLogic Pro or EcoZenith i550 Pro) as well as CTC EcoAir 510M which will be numbered as Heat Pump 2 (A2).



3. Wait approx. 2 minutes until the heat pump is visible in the "Operation data" menu.



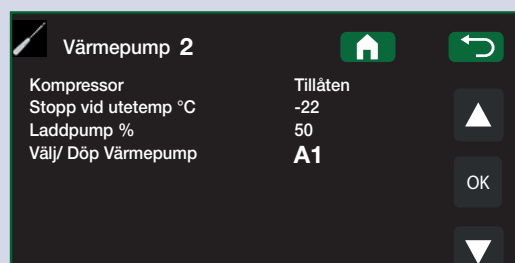
4. Go to "Installer/Settings/Heat pump 2" and the row "Select/Rename Heat pump". Press OK.



5. Press the arrow up until (A1)* is displayed. Press OK.

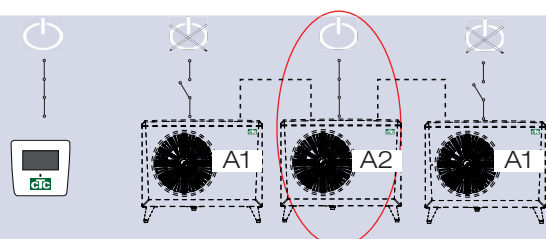
After pressing OK, (A1)* disappears and the "Select/Rename Heat Pump" row will go dark.

**In this example, we have assumed that the heat pump is called A1, which is the factory default. If the heat pump has already been renumbered, then select this number instead.*



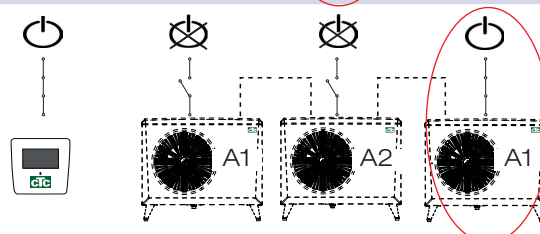
! *CTC EcoZenith i550 Pro does not control CTC EcoAir 610M.

6. The heat pump is now numbered (A2).



7. To number the other heat pumps:

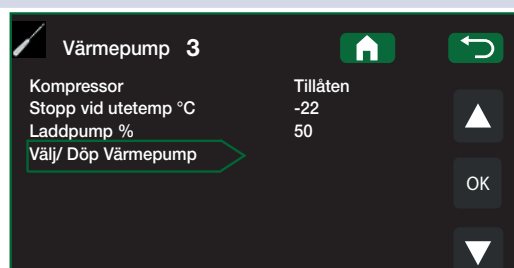
Energise the control and the next heat pump to be numbered to heat pump 3 (A3).



8. Wait approx 2 minutes until the heat pump is visible in the operational information.



9. Go to "Installer/Settings/Heat pump 3" and the row "Select/Rename Heat pump". Press OK.



10. Press the arrow up until (A1)* is displayed. Press OK.

After pressing OK, (A1)* disappears and the "Select/Rename Heat Pump" row will go dark. The heat pump is now numbered (A3).

**In this example, we have assumed that the heat pump is called A1, which is the factory default. If the heat pump has already been renumbered, then select this number instead.*

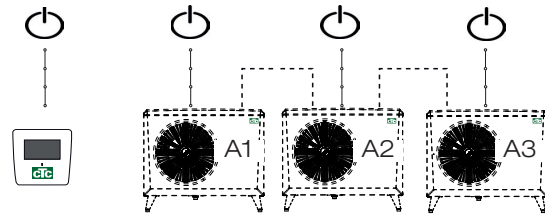


11. Redo the procedure according to the number of heat pumps to be numbered.

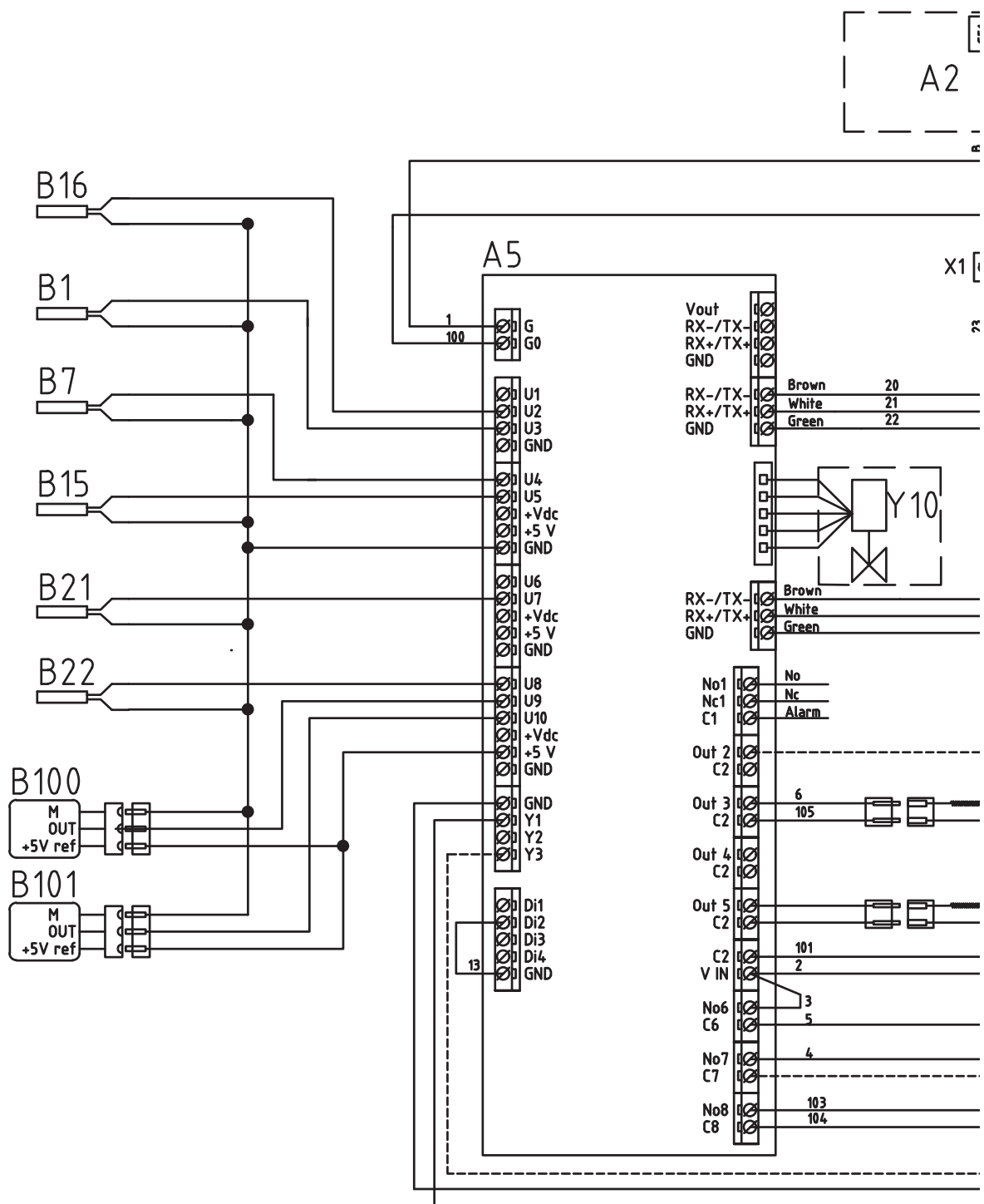
When all heat pumps are numbered and powered up, they should be displayed when you press the heat pump symbol in the menu "Operation data". If any heat pump does not appear in the menu (communication with the heat pump fails) It may be because it has not been numbered as described above.

If you do not know the name of the heat pump, you can reset the numbering by using the "Select/Rename Heat Pump" menu (refer to points 9 and 10 above) to indicate all possible names of the heat pump, i.e. you select and confirm A1 and then A2 up to A10 to ensure that the correct name is given.

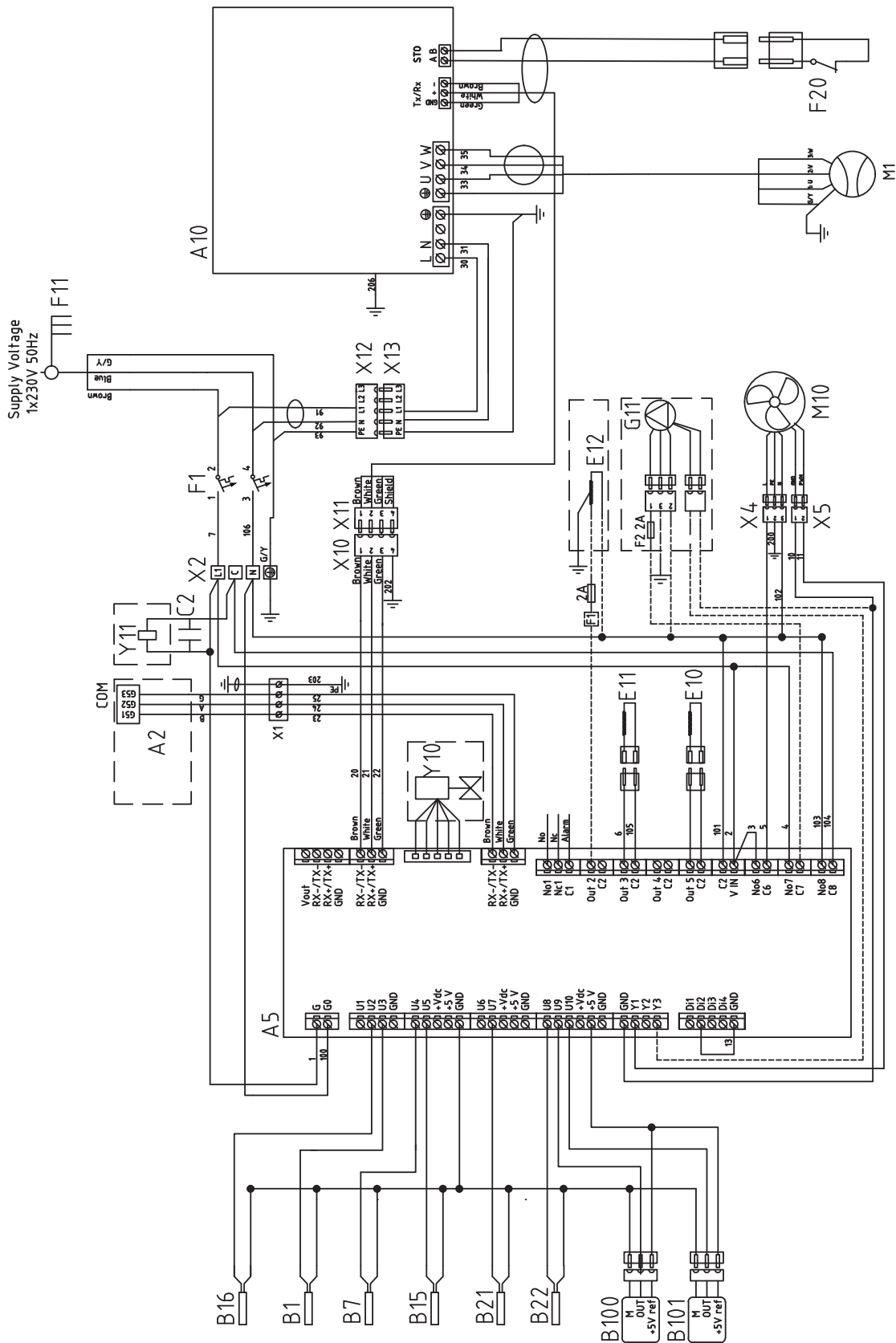
Finally test in the menu "Advanced/Service/Function test/Heat pump" that the respective heat pump starts.



6.4 Wiring diagram 230 V 1N~ (A3)



6.5 Wiring diagram 230 V 1N~ (A4)



6.6 Parts list

A2	Relay/main card (CTC EcoZenith, CTC EcoVent i350F/i360F)	
A5	HP control card	
A10	Frequency converter	
B1	Primary flow sensor	Type 2 NTC/NTC 22
B7	Return sensor	Type 2 NTC/NTC 22
B15	Outdoor sensor	Type 1 NTC/NTC 22
B16	Defrosting sensor	Type 1 NTC/NTC 22
B21	Discharge sensor	NTC 50
B22	Suction gas sensor	Type 1 NTC/NTC 015
B100	High pressure sensor	
B101	Low pressure sensor	
C2	Condenser	
E10	Compressor heater	
E11	Condenser tray heater	
E12	Heating cable (option)	
F1	Fuse	
F11	Omnipolar switch	
F20	High pressure switch	
M1	Compressor	
M10	Fan	
X10, X11	Connector communication frequency converter	
X12, X13	Connector supply frequency converter	
Y10	Expansion valve	
Y11	Solenoid valve	

6.7 Sensor Data

Temperature °C	Sensor Type 1 NTC Resistance kΩ	Temperature °C	Sensor Type 2 NTC Resistance kΩ	Temperature °C	Sensor Type 3 NTC Resistance kΩ	Temperature °C	NTC 50 Resistance kΩ
100	0.22	100	0.67	130	5.37	150	0.89
95	0.25	95	0.78	125	6.18	145	1.00
90	0.28	90	0.908	120	7.13	140	1.14
85	0.32	85	1.06	115	8.26	135	1.29
80	0.37	80	1.25	110	9.59	130	1.47
75	0.42	75	1.47	105	11.17	125	1.67
70	0.49	70	1.74	100	13.06	120	1.91
65	0.57	65	2.07	95	15.33	115	2.19
60	0.7	60	2.5	90	18.1	110	2.5
55	0.8	55	3.0	85	21.4	105	2.9
50	0.9	50	3.6	80	25.4	100	3.4
45	1.1	45	4.4	75	30.3	95	3.9
40	1.3	40	5.3	70	36.3	90	4.6
35	1.5	35	6.5	65	43.6	85	5.4
30	1.8	30	8.1	60	52.8	80	6.3
25	2.2	25	10	55	64.1	75	7.4
20	2.6	20	12.5	50	78.3	70	8.8
15	3.2	15	15.8	45	96.1	65	10.4
10	4	10	20	40	119	60	12.5
5	5	5	26	35	147	55	15
0	6	0	33	30	184	50	18
-5	7	-5	43	25	232	45	22
-10	9	-10	56	20	293	40	27
-15	12	-15	74	15	373	35	33
-20	15	-20	99	10	479	30	40
-25	19	-25	134	5	619	25	50
-30	25	-30	183			20	62
						15	78
						10	99
						5	126

7. First start

1. Check that the boiler and system are full of water and have been bled.
2. Check that all connections are tight.
3. Check that sensors and the charge pump are connected to the power source.
4. Energise the heat pump by switching on the operating switch (the main switch).

Once the system has heated up, check that all connections are tight, the various systems have been bled, heat is coming out into the system and warm water is coming out at the tap locations.

8. Operation and Maintenance

When the installer has installed your new products, you should check along with the installer that the system is in perfect operating condition. Let the installer show you where the power switches, controls and fuses are so that you know how the system works and how it should be maintained. Bleed the radiators (depending on type of system) after around three days of operation and top up with water if required.

Defrost

CTC EcoAir 510M is equipped with hot gas defrosting. The heat pump checks constantly whether defrosting is needed and, if so, defrosting starts, the fan stops, the 4-way valve changes direction and the discharge goes to the evaporator instead. A hissing sound is heard as the water drains from the evaporator. There may be large amounts of water. When the product has defrosted, the fan starts and the discharge goes into the condenser instead, and the heat pump returns to normal operation.

Modulating compressor

The power in the heat pump is adapted using modulating operation according to the actual energy requirement. The compressor runs constantly with the correct power and thereby minimises the number of start and stop periods. The modulating power regulation provides optimal efficiency.

The fan

The fan starts 15 seconds before the condenser and runs until the compressor stops. During defrosting the fan stops and restarts when defrosting is finished. The fan is speed-controlled and follows the need for power.

Maintenance

A large amount of air passes through the evaporator. Leaves and other debris can get stuck and restrict the air flow. At least once year the evaporator coil should be checked and cleared of particles that block the air flow. The evaporator and outer covering should be cleaned with a damp cloth or soft brush. No other periodic maintenance or inspection is necessary.

Periodic maintenance

After three weeks of operation and every three months of the first year, thereafter once a year:

- Check that the installation is free of leaks.
- Check that the product and system are free of air; bleed if needed.
- Check that the evaporator is clean.
- The products do not require annual inspection for refrigerant leakage.

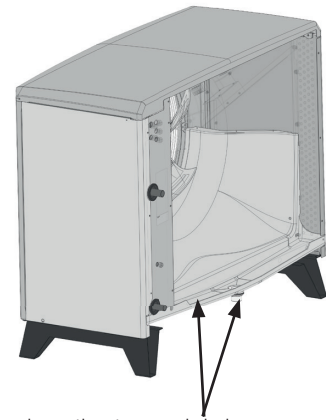
Operation stop

The heat pump is shut down using the operating switch. If there is a risk of the water freezing, ensure that there is circulation, or drain out all the water from the heat pump.

Condensation water tray

The condensation water tray collects water formed on the EcoAir's evaporator during operation and defrosting. The condensation water tray is equipped with an electric heating coil which keeps the tray free of ice when it is freezing outside. The condensation water tray is located at the bottom on the back of EcoAir. By lifting the handle on the cover plate and pulling it out, you can clean and inspect the condensation tray.

As an accessory you can buy a heating cable to connect to EcoAir. The cable is fitted in the drain from the condensation tray to the frost-free drain.



Condensation tray and drain

9. Troubleshooting/Appropriate measures

CTC EcoAir 510M is designed to provide reliable operation and high levels of comfort, and to have a long service life. Various tips are given below which may be helpful and guide you in the event of an operational malfunction.

If a fault occurs, you should always contact the installer who installed your unit. If the installer believes the malfunction is due to a materials or design fault, then they will contact Enertech AB to check and rectify the issue. Always provide the product's serial number.

Air problems

If you hear a rasping sound from the heat pump, check that it is properly bled. Top up with water where required, so that the correct pressure is achieved. If this noise recurs, call a technician to check the cause.

Alarm

Any alarms and information texts from the CTC EcoAir 510M are displayed in the product which is used to control it; you should therefore consult the manual for that product.

Circulation and defrosting

If the circulation between the indoor and the outdoor unit is reduced or stops, the high pressure switch is triggered. Possible reasons for this:

- Defective circulating pump/Circulating pump too small
- Air in the pipes
- Condenser clogged
- Other intermediate obstructions to the water flow

During defrosting the fan stops but the compressor operates and the melted snow and ice flows into the condensation tray under the heat pump. When defrosting stops, the fan starts again and initially a vapour cloud, consisting of damp air which condenses in the cold outdoor air, is created. This is perfectly normal and stops after a few seconds. If the pump heats poorly, check that no unusual ice formation has occurred. Possible reasons for this:

- Defective defrosting automation
- Lack of refrigerant (leakage)
- Extreme weather conditions.

